

# DOOR SYSTEM

## SLIDING SYSTEMS



pocket door frames

slides



# DOOR SYSTEM

The philosophy of the door system was to allow architects and interior designers a complex design unification of the various technical solutions for pocket door frames both reversible and sliding.

**THE DOOR SYSTEM** is unique and is protected by the patent office with a whole range of used and industrial patterns.

Currently, the solution contains the complete series for:

- Reversible systems

- Glass walls

- Sliding systems

## Sliding systems

Table of Contents:

<b>POCKET DOOR FRAMES FOR SLIDING DOORS</b> .....	page 3
• Norma .....	page 4
• Aktive.....	page 16
• Emotive.....	page 24
• Latente.....	page 32
• Profikit.....	page 40
• sliding door fittings .....	page 45
<b>WALL AND CEILING SLIDES</b> .....	page 50
• Trix.....	page 52
• Rollo.....	page 62
• Premium	page 64

## J.A.P. Pocket door frames

Since the year 2000, we've been manufacturing and supplying quality pocket door frames for sliding doors.

Pocket door frames are structures that allow the sliding doors to slide elegantly into the wall. The pocket door frame ensures safe and smooth travel of all kinds of doors, including all-glass doors.

This modern style of dividing individual spaces with a J.A.P. pocket door frame is a very elegant, quiet and last but not least, barrier-free solution for any interior space.

A downright plus of having sliding doors directly into a pocket door frame is the amount of space that you save. When left open, the door leaf does not get in the way, unlike with classic reversible doors. Sliding doors that are installed in smaller spaces allow you to use the wall space directly near the door. The pocket door frame brings you maximum comfort and a balanced design and saves you space.

We divide the pocket door frames into **framed and frameless** and then further into **single leaf and double leaf** pocket door frames.

**The frameless pocket** is ideal for minimalist tuned interiors and for changing the perception of space, and it also brings clean lines to your home. Its design is adapted so that it only creates the edges of the walk-through opening and may be hidden under the surface finishing of the partition wall, or in other words, under the paint or wallpaper.

The frameless solution in the form of a hidden door frame, **AKTIVE** and **EMOTIVE**, brings a minimalistic appearance, even for reversible doors.

**A single leaf pocket door frame** may be utilised during a new construction or a reconstruction. It is ideal for the living room, bedroom, kitchen, pantry, closet, bathroom, toilet, study, etc.

**A double leaf pocket door frame** for two door leaves is especially ideal for places where a large opening is desired. For example, between the kitchen and the living room. When needed, the doors can be easily closed so that you will have two separate spaces. And when you wish to enlarge the space, the doors disappear into the wall and don't get in the way of anything.



Norma



Aktive



Emotive



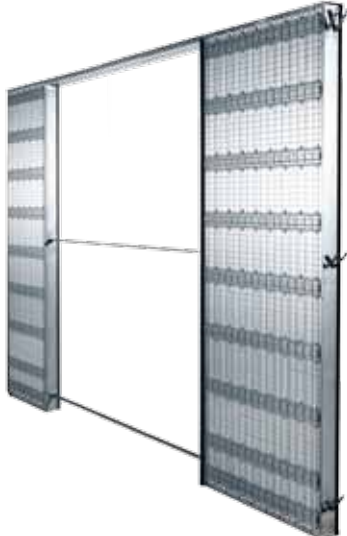
Latente

# NORMA

## NORMA STANDARD



## NORMA KOMFORT



anchoring plates for the wall



anchoring for Drywall



benchmark

## NORMA PARALLEL



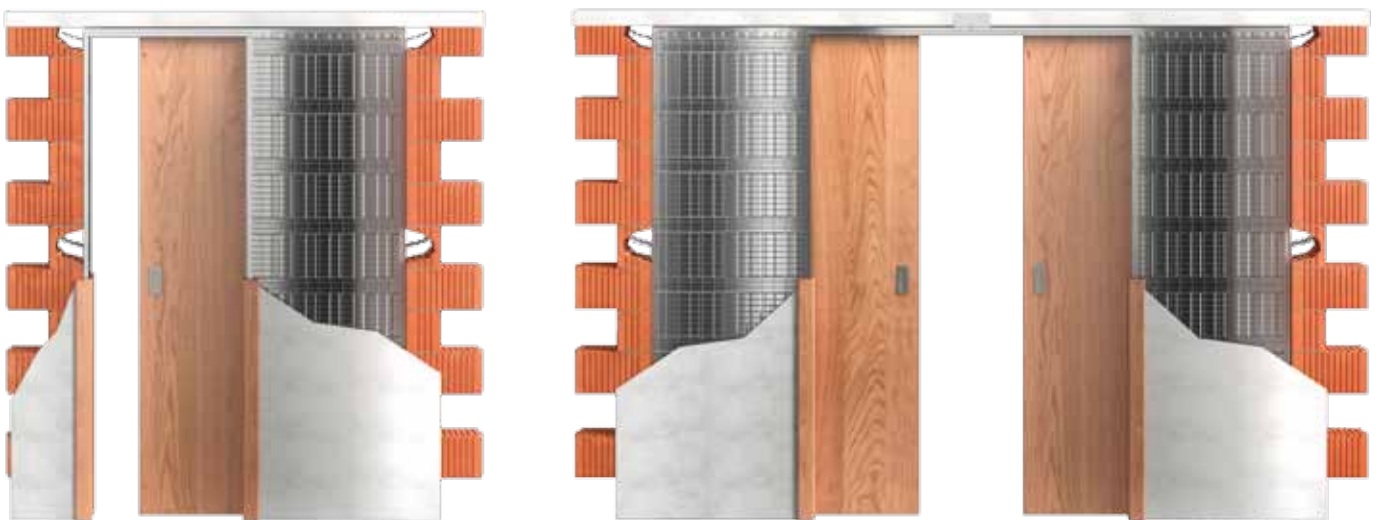
## NORMA UNIBOX



## NORMA POCKET DOOR FRAMES

The Norma model presents a complete line of framed pocket door frames

- intended for wooden and all-glass doors
- use for Drywalls and walls
- synchronous sliding for the Komfort and Parallel types included in the price
- removable upper rail
- adjustable front and rear stoppers
- the option to buy a soft closing mechanism for the gradual closing of the doors
- a sliding guide with a precise centring to the centre of the pocket
- it is possible to place a switch or power socket on the door pocket
- the option of non-standard dimensions up to the net height of 2,700 mm (does not apply for narrow non-standard sizes)
- a high-quality travelling mechanism
- compatibility with all the manufacturers of doors
- the entire pocket is from quality zinc-coated sheet metal
- a very quiet travelling mechanism in a special aluminium slat
- in stock with sellers in the whole Czech Republic
- a 10-year warranty



JAP 705

Pocket  
door frame

**Norma  
Standard**





ladies

The version with the glass doors.

## Pocket door frame Norma Standard

is a pocket door frame for single leaf sliding doors, it is the most common type of a pocket door frame.

JAP 705 NORMA STANDARD – 1970 mm			
net passage after fitting the framing D x J	total dimensions of the pocket door frame E x H	width of the metal sheet pocket A	thickness of the opening for the installation of the pocket door frame B
600 x 1970	1345 x 2060	665	660
700 x 1970	1545 x 2060	765	760
800 x 1970	1745 x 2060	865	860
900 x 1970	1945 x 2060	965	960
1000 x 1970	2145 x 2060	1065	1060
1100 x 1970	2345 x 2060	1165	1160
1200 x 1970	2545 x 2060	1265	1260

The recommended dimensions of the door leaf		
standard dimension of the door leaf C x L	maximum thickness of the door leaf F for K 100	maximum thickness of the door leaf Fa for Ka 75
650 x 1985	68	52
750 x 1985	68	52
850 x 1985	68	52
950 x 1985	68	52
1050 x 1985	68	52
1150 x 1985	68	52
1250 x 1985	68	52

JAP 705 NORMA STANDARD – 2100 mm			
net passage after fitting the framing D x J	total dimensions of the pocket door frame E x H	width of the metal sheet pocket A	thickness of the opening for the installation of the pocket door frame B
600 x 2100	1345 x 2190	665	660
700 x 2100	1545 x 2190	765	760
800 x 2100	1745 x 2190	865	860
900 x 2100	1945 x 2190	965	960
1000 x 2100	2145 x 2190	1065	1060
1100 x 2100	2345 x 2190	1165	1160
1200 x 2100	2545 x 2190	1265	1260

The recommended dimensions of the door leaf		
standard dimension of the door leaf C x L	maximum thickness of the door leaf F for K 100	maximum thickness of the door leaf Fa for Ka 75
650 x 2115	68	52
750 x 2115	68	52
850 x 2115	68	52
950 x 2115	68	52
1050 x 2115	68	52
1150 x 2115	68	52
1250 x 2115	68	52

The recommended dimensions of the rough construction opening for the pocket door frame for brick systems are (H + 20 mm x E + 40 mm).

The recommended dimensions of the rough construction opening for drywall construction systems correspond with the dimensions of the pocket door frame E x H with the option of moving the raster from CW or UA profiles – lining the profiles all the way to the pocket.

Outer thickness (K) of the NORMA Standard pocket door frame is 100 mm = the finished partition is 125 mm.

Alternative thickness (Ka) of the NORMA Standard pocket door frame into a wall is 75 mm for drywalls = the finished partition is 100 mm.

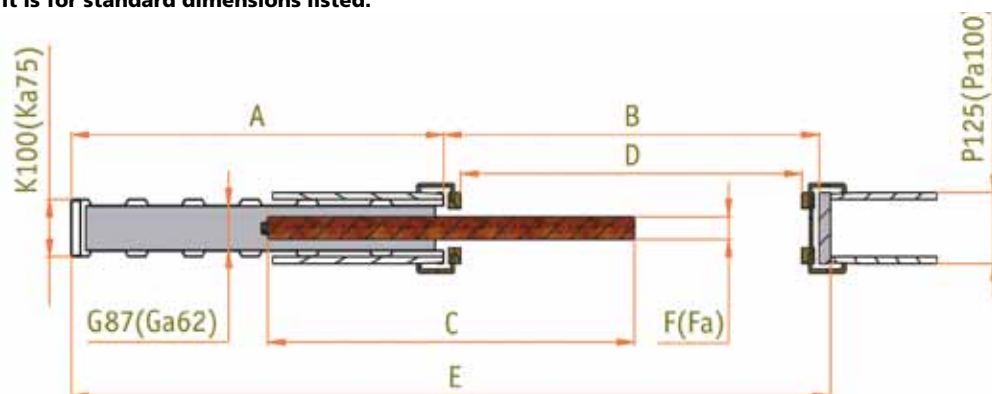
The opening must be fitted with a lintel – the pocket door frame is not able to bear load.

The standard net passage after fitting is 1970 mm and 2100 mm for all types of pockets.

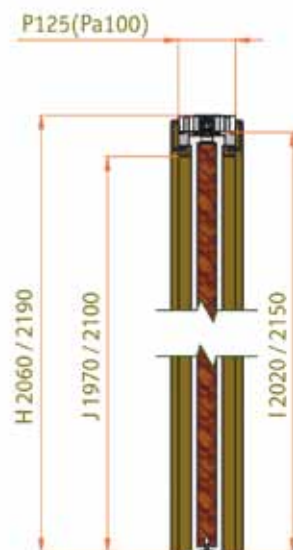
Non-standard dimensions from 1980 up to 2700 mm.

For non-standard dimensions of the pocket door frame, the size of the pocket door frame is G=78 for P125 and Ga=52 for P100 Drywall partition and Ga=62 for P100 brick partition.

The width of the sheet metal pocket of the pocket door frame A and the total width of the pocket door frame E is 10 mm less for non-standard dimensions than it is for standard dimensions listed.



Horizontal cross-section of the Norma Standard pocket

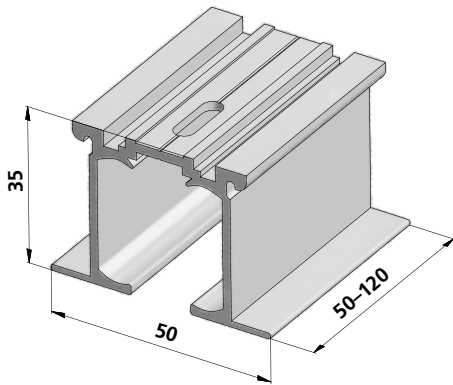


Vertical cross-section of the Norma Standard pocket

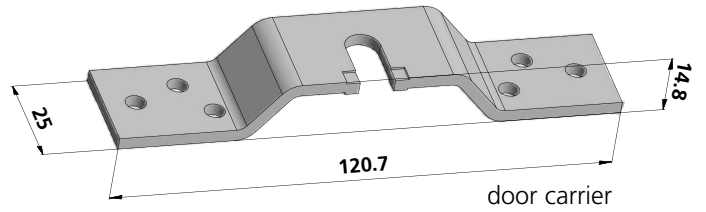


# Accessories for the Norma pocket door frames

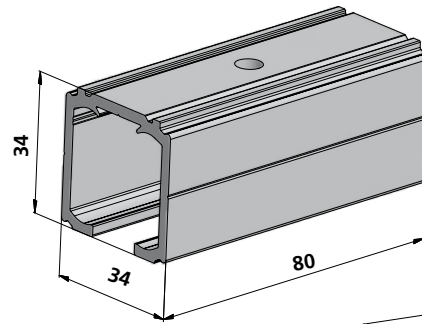
included in the price



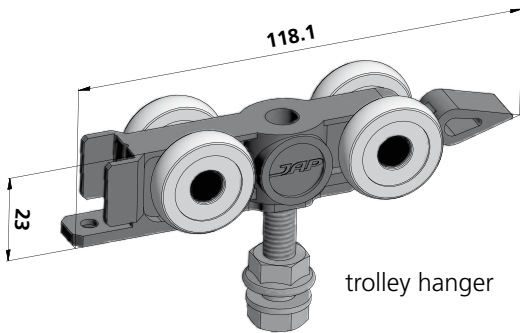
an accessory of the Norma Standard and Komfort rail



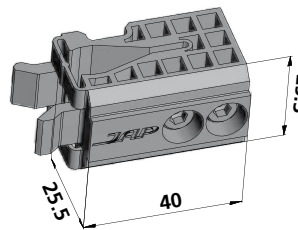
door carrier



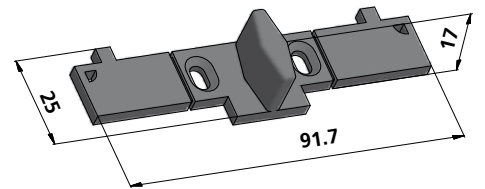
an accessory of the rail Norma Unibox and Latente



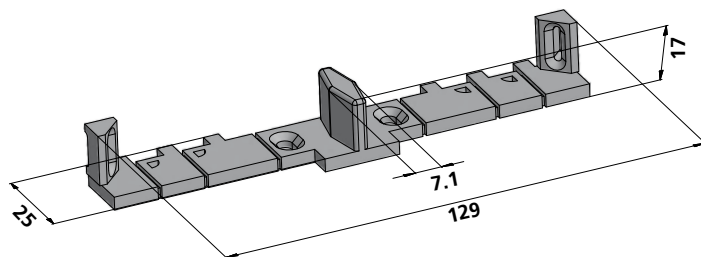
trolley hanger



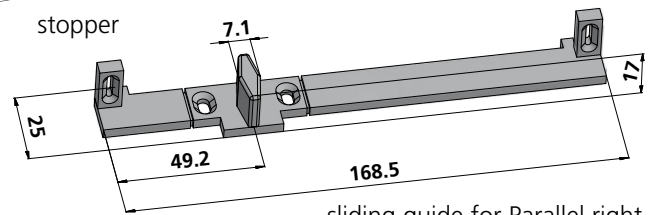
stopper



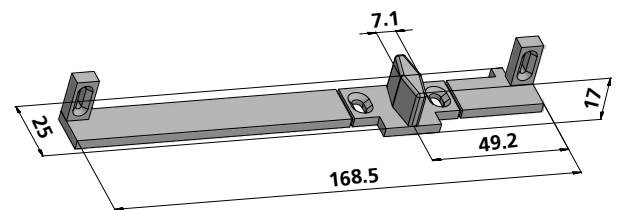
Unibox guider



sliding guide for Standard and Komfort



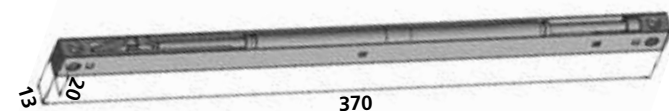
sliding guide for Parallel right



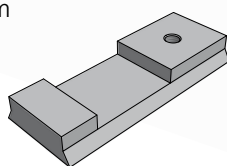
sliding guide for Parallel left

including the fastening material

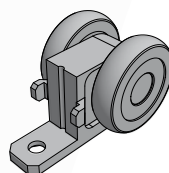
for a fee



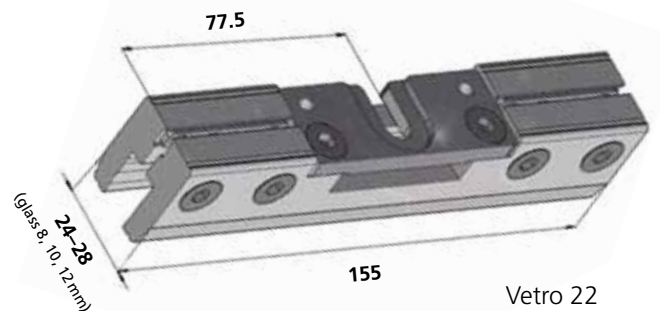
soft closing mechanism



2AL activator



hub



Vetro 22

including the fastening material

JAP 715

Pocket door frame

**Norma Komfort**



## Pocket door frame Norma Komfort

is an assembly of two pocket door frames connected together with the guide rail and with the door leaves which slide against each other.

The movement of the doors may be synchronized and the synchronous travelling mechanism is included in the price.

JAP 715 NORMA KOMFORT – 1970 mm			
net passage after fitting the framing D x J	total dimensions of the pocket door frame ExH	width of the metal sheet pocket A	thickness of the opening for the installation of the pocket door frame B
1250 x 1970	2630 x 2060	665	1300
1450 x 1970	3030 x 2060	765	1500
1650 x 1970	3430 x 2060	865	1700
1850 x 1970	3830 x 2060	965	1900
2050 x 1970	4230 x 2060	1065	2100
2250 x 1970	4630 x 2060	1165	2300
2450 x 1970	5030 x 2060	1265	2500

The recommended dimensions of the door leaf		
standard dimension of the door leaf C x L	maximum thickness of the door leaf F for K 100	maximum thickness of the door leaf Fa for Ka 75
(2x 650) x 1985	68	52
(2x 750) x 1985	68	52
(2x 850) x 1985	68	52
(2x 950) x 1985	68	52
(2x 1050) x 1985	68	52
(2x 1150) x 1985	68	52
(2x1250) x 1985	68	52

JAP 715 NORMA KOMFORT – 2100 mm			
net passage after fitting the framing D x J	total dimensions of the pocket door frame ExH	width of the metal sheet pocket A	thickness of the opening for the installation of the pocket door frame B
1250 x 2100	2630 x 2190	665	1300
1450 x 2100	3030 x 2190	765	1500
1650 x 2100	3430 x 2190	865	1700
1850 x 2100	3830 x 2190	965	1900
2050 x 2100	4230 x 2190	1065	2100
2250 x 2100	4630 x 2190	1165	2300
2450 x 2100	5030 x 2190	1265	2500

The recommended dimensions of the door leaf		
standard dimension of the door leaf C x L	maximum thickness of the door leaf F for K 100	maximum thickness of the door leaf Fa for Ka 75
(2x 650) x 2115	68	52
(2x 750) x 2115	68	52
(2x 850) x 2115	68	52
(2x 950) x 2115	68	52
(2x 1050) x 2115	68	52
(2x 1150) x 2115	68	52
(2x 1250) x 2115	68	52

The recommended dimensions of the rough construction opening for the pocket door frame for brick systems are (H + 20 mm x E + 40 mm).

The recommended dimensions of the rough construction opening for drywall construction systems correspond with the dimensions of the pocket door frame E x H with the option of moving the raster from CW or UA profiles – lining the profiles all the way to the pocket.

The outer thickness (K) of the pocket door frame NORMA Komfort 100 mm = the finished partition is 125 mm.

The alternative thickness (Ka) of pocket door frame NORMA Komfort for walls and drywalls of 75 mm = the finished partition is 100 mm.

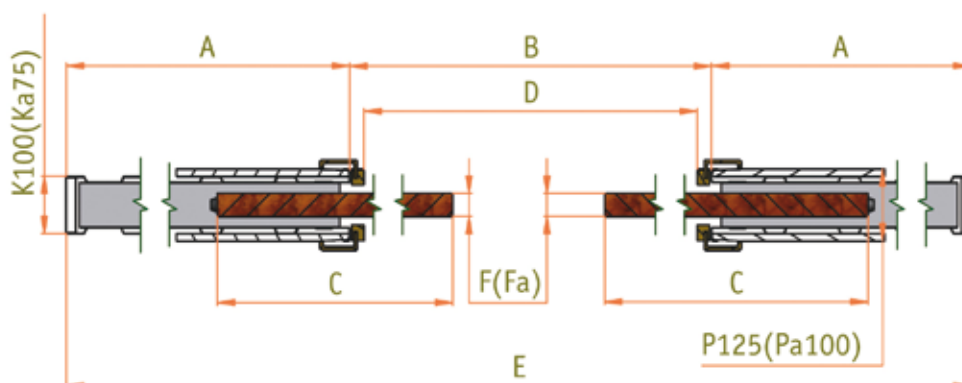
The opening must be fitted with a lintel – the pocket door frame is not able to bear load.

The standard net passage after fitting is 1970 mm and 2100 mm for all types of pockets.

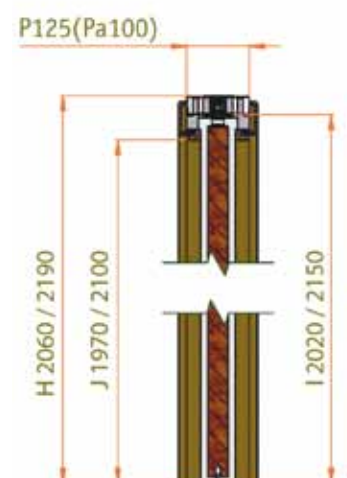
Non-standard dimensions from 1980 up to 2700 mm.

For non-standard dimensions of the pocket door frames, the size of the pocket door frame is G=78 for P125 and Ga=52 for P100 Drywall partition and Ga=62 for P100 brick partition.

The width of the sheet metal pocket of the pocket door frame A and the total width of the pocket door frame E is 10 mm less for non-standard dimensions than it is for standard dimensions listed.



Horizontal cross-section of the Norma Komfort pocket



Vertical cross-section of the Norma Komfort pocket

JAP 720

Pocket door frame

**Norma Unibox**



### The pocket door frame Norma Unibox

is a twin pocket door frame in which there are two single leaf doors that close-off two adjacent rooms. Each leaf slides independently.

JAP 720 NORMA UNIBOX – 1970 mm			
net passage after fitting the framing D x J	total dimensions of the pocket door frame ExH	width of the metal sheet pocket A	thickness of the opening for the installation of the pocket door frame B
(2x600) x 1970	2020 x 2070	660	2x 660
(2x700) x 1970	2320 x 2070	760	2x 760
(2x800) x 1970	2620 x 2070	860	2x 860
(2x900) x 1970	2920 x 2070	960	2x 960
(2x1000) x 1970	3220 x 2070	1060	2x 1060
(2x1100) x 1970	3520 x 2070	1160	2x 1160
(2x1200) x 1970	3820 x 2070	1260	2x 1260

The recommended dimensions of the door leaf	
standard dimension of the door leaf C x L	maximum thickness of the door leaf F for K 175
650 x 1985	65
750 x 1985	65
850 x 1985	65
950 x 1985	65
1050 x 1985	65
1150 x 1985	65
1250 x 1985	65

JAP 720 NORMA UNIBOX – 2100 mm			
net passage after fitting the framing D x J	total dimensions of the pocket door frame ExH	width of the metal sheet pocket A	thickness of the opening for the installation of the pocket door frame B
(2x600) x 2100	2020 x 2200	660	2x 660
(2x700) x 2100	2320 x 2200	760	2x 760
(2x800) x 2100	2620 x 2200	860	2x 860
(2x900) x 2100	2920 x 2200	960	2x 960
(2x1000) x 2100	3220 x 2200	1060	2x 1060
(2x1100) x 2100	3520 x 2200	1160	2x 1160
(2x1200) x 2100	3820 x 2200	1260	2x 1260

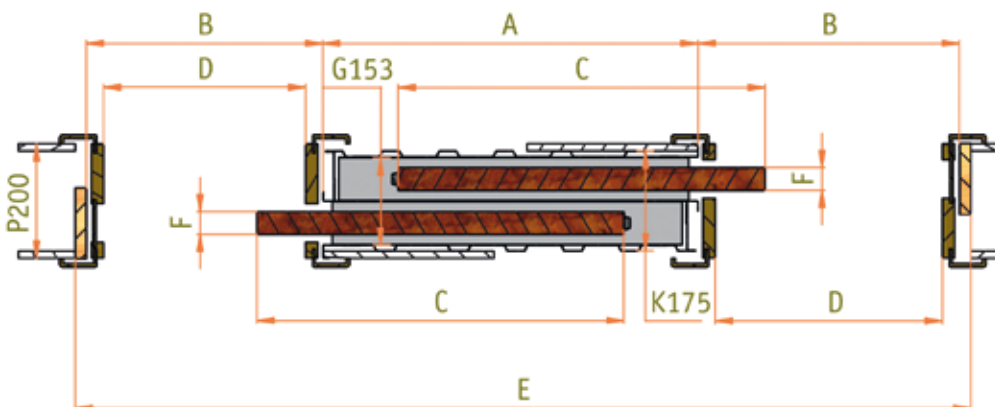
The recommended dimensions of the door leaf	
standard dimension of the door leaf C x L	maximum thickness of the door leaf F for K 175
650 x 2115	65
750 x 2115	65
850 x 2115	65
950 x 2115	65
1050 x 2115	65
1150 x 2115	65
1250 x 2115	65

The recommended dimensions of the rough construction opening for the pocket door frame for brick systems are (H + 20 mm x E + 40 mm).

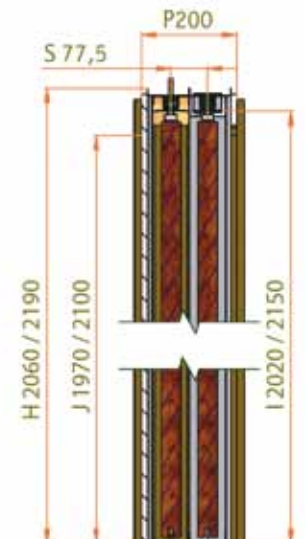
The recommended dimensions of the rough construction opening for drywall construction systems correspond with the dimensions of the pocket door frame E x H with the option of moving the raster from CW or UA profiles – lining the profiles all the way to the pocket.

The outer thickness (K) of the pocket door frame NORMA Unibox 175 mm = the finished partition is 200 mm.

The opening must be fitted with a lintel – the pocket door frame is not able to bear load. The standard net passage after fitting is 1970 mm and 2100 mm for all types of pockets. Non-standard dimensions from 1980 up to 2700 mm. For non-standard dimensions of the pocket door frames, the size of the pocket door frame is G=78 for P125 and Ga=52 for P100 Drywall partition and Ga=62 for P100 brick partition. The width of the sheet metal pocket of the pocket door frame A and the total width of the pocket door frame E is 10 mm less for non-standard dimensions than it is for standard dimensions listed.



Horizontal cross-section of the Norma Unibox pocket



Vertical cross-section of the Norma Unibox pocket

Single leaf sliding doors for the pocket door frame – right



UNIBOX

Single leaf sliding doors for the pocket door frame – left



UNIBOX

JAP 730

Pocket door frame

**Norma Parallel**



## The pocket door frame Norma Parallel

is a twin pocket door frame in which there are two door leaves closing in one direction in parallel behind each other.

The movement of the doors may be synchronized and the synchronous slide is included in the price. It is not possible to use all-glass doors with this type.

JAP 730 NORMA PARALLEL – 1970 mm			
net passage after fitting the framing D x J	total dimensions of the pocket door frame ExH	width of the metal sheet pocket A	thickness of the opening for the installation of the pocket door frame B
1250 x 1970	1985 x 2070	655	1310
1450 x 1970	2285 x 2070	755	1510
1650 x 1970	2585 x 2070	855	1710
1850 x 1970	2885 x 2070	955	1910
2050 x 1970	3185 x 2070	1055	2110
2250 x 1970	3485 x 2070	1155	2310
2450 x 1970	3785 x 2070	1255	2510

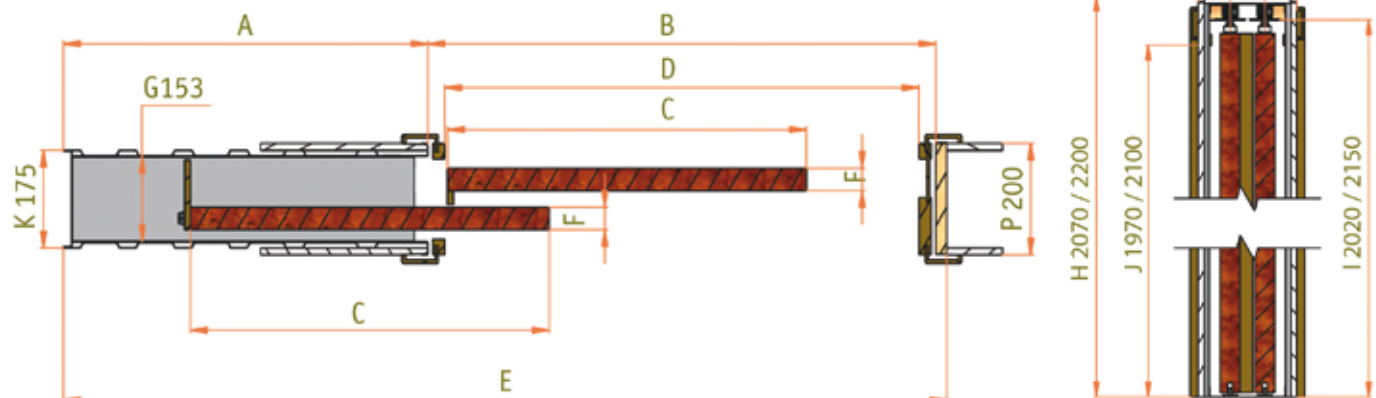
The recommended dimensions of the door leaf	
net passage after fitting the framing C x L	maximum thickness of the door leaf F for K 175
(2x 650) x 1985	65
(2x 750) x 1985	65
(2x 850) x 1985	65
(2x 950) x 1985	65
(2x 1050) x 1985	65
(2x 1150) x 1985	65
(2x 1250) x 1985	65

JAP 730 NORMA PARALLEL – 2100 mm			
net passage after fitting the framing D x J	total dimensions of the pocket door frame ExH	width of the metal sheet pocket A	thickness of the opening for the installation of the pocket door frame B
1250 x 2100	1985 x 2200	655	1310
1450 x 2100	2285 x 2200	755	1510
1650 x 2100	2585 x 2200	855	1710
1850 x 2100	2885 x 2200	955	1910
2050 x 2100	3185 x 2200	1055	2110
2250 x 2100	3485 x 2200	1155	2310
2450 x 2100	3785 x 2200	1255	2510

The recommended dimensions of the door leaf	
net passage after fitting the framing C x L	maximum thickness of the door leaf F for K 175
(2x 650) x 2115	65
(2x 750) x 2115	65
(2x 850) x 2115	65
(2x 950) x 2115	65
(2x 1050) x 2115	65
(2x 1150) x 2115	65
(2x 1250) x 2115	65

The recommended dimensions of the rough construction opening for the pocket door frame for brick systems are (H + 20 mm x E + 40 mm). The recommended dimensions of the rough construction opening for drywall construction systems correspond with the dimensions of the pocket door frame E x H with the option of moving the raster from CW or UA profiles – lining the profiles all the way to the pocket. The outer thickness (K) of the pocket door frame NORMA Parallel 175 mm = the finished partition is 200 mm.

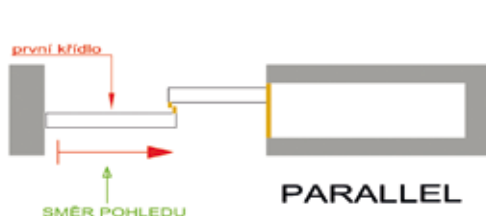
The opening must be fitted with a lintel – the pocket door frame is not able to bear load. The standard net passage after fitting is 1970 mm and 2100 mm for all types of pockets. Non-standard dimensions from 1980 up to 2700 mm.



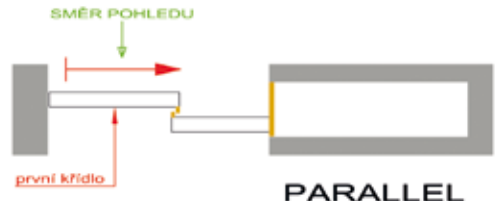
Horizontal cross-section of the Norma Parallel pocket

Vertical cross-section of the Norma Parallel pocket

Double leaf sliding doors for the pocket door frame – right



Double leaf sliding doors for the pocket door frame – left



# AKTIVE

## AKTIVE STANDARD

Wall



Drywall



the corner connection between the standing leg and the door header



the connection of the door header with the pocket door frame



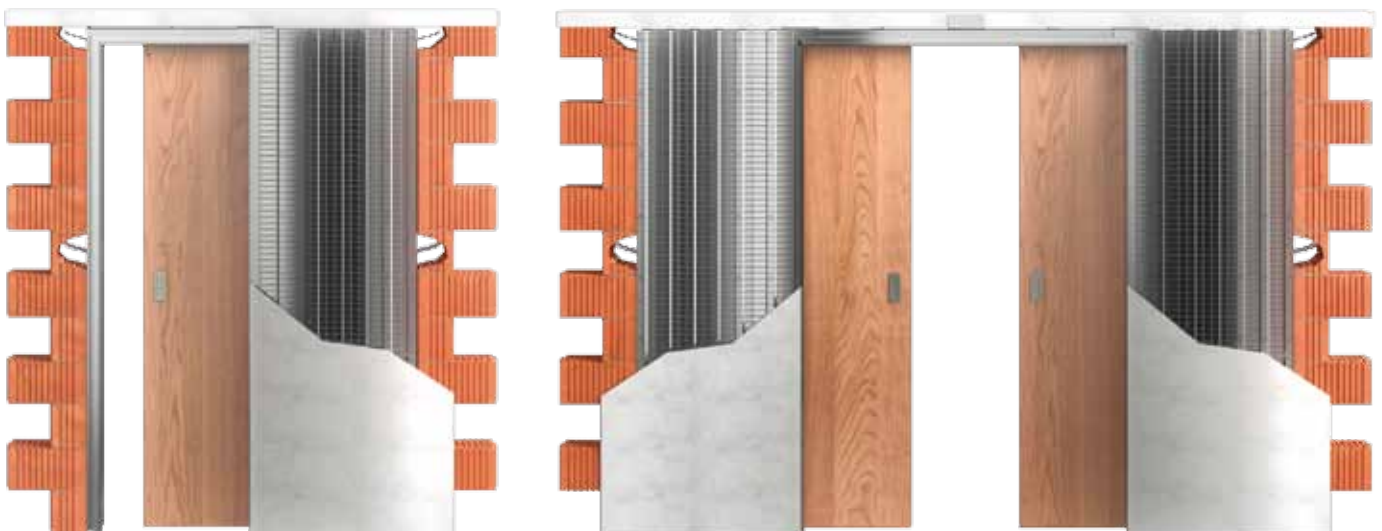
benchmark



## AKTIVE POCKET DOOR FRAMES

The Aktive model is a frameless pocket door frame where the opening through the door is completely clean and without a doorframe.

- intended for wooden and all-glass doors
- use for Drywalls and walls
- intended for the 125 mm finished thickness of the partition
- the opening through the door is absolutely smooth and without a doorframe
- synchronous sliding for the Aktive Komfort included in the price
- removable upper rail
- adjustable front and rear stoppers
- the option to buy a soft closing mechanism for the gradual closing of the doors
- the option of non-standard dimensions up to the height of 2,700 mm
- a high-quality travelling mechanism
- the entire pocket is from quality zinc-coated sheet metal and aluminium profiles
- a very quiet travelling mechanism in a special aluminium slat
- the pocket door frames follow the design of the complete line of concealed door frames Aktive for frames for reversible doors
- a 10-year warranty



JAP 702

Pocket door frame

**Aktive Standard**





Option  
with the glass doors

## The pocket door frame **Aktive Standard**

is a frameless pocket door frame for single leaf sliding doors

which perfectly respects the clean and modern lines of the walls without frames.

JAP 702 AKTIVE STANDARD – 1970 mm			
net passage after fitting the framing D x J	total dimensions of the pocket door frame E x H	width of the metal sheet pocket A	thickness of the opening for the installation of the pocket door frame B = D
600 x 1970	1343 x 2035	681	600
700 x 1970	1543 x 2035	781	700
800 x 1970	1743 x 2035	881	800
900 x 1970	1943 x 2035	981	900
1000 x 1970	2143 x 2035	1081	1000
1100 x 1970	2343 x 2035	1181	1100
1200 x 1970	2543 x 2035	1281	1200

The recommended dimensions of the door leaf		
standard dimension of the wooden door leaf C x L	maximum thickness of the door leaf F for K 100	standard dimension of the wooden door leaf C x L
650 x 1962	40	650 x 1950
750 x 1962		750 x 1950
850 x 1962		850 x 1950
950 x 1962		950 x 1950
1050 x 1962		1050 x 1950
1150 x 1962		1150 x 1950
1250 x 1962		1250 x 1950

JAP 702 AKTIVE STANDARD – 2100 mm			
net passage after fitting the framing D x J	total dimensions of the pocket door frame E x H	width of the metal sheet pocket A	thickness of the opening for the installation of the pocket door frame B = D
600 x 2100	1343 x 2165	681	600
700 x 2100	1543 x 2165	781	700
800 x 2100	1743 x 2165	881	800
900 x 2100	1943 x 2165	981	900
1000 x 2100	2143 x 2165	1081	1000
1100 x 2100	2343 x 2165	1181	1100
1200 x 2100	2543 x 2165	1281	1200

The recommended dimensions of the door leaf		
standard dimension of the wooden door leaf C x L	maximum thickness of the door leaf F for K 100	standard dimension of the wooden door leaf C x L
650 x 2092	40	650 x 2080
750 x 2092		750 x 2080
850 x 2092		850 x 2080
950 x 2092		950 x 2080
1050 x 2092		1050 x 2080
1150 x 2092		1150 x 2080
1250 x 2092		1250 x 2080

The recommended dimensions of the rough construction opening for the pocket door frame for brick systems are (H + 20 mm x E + 40 mm).

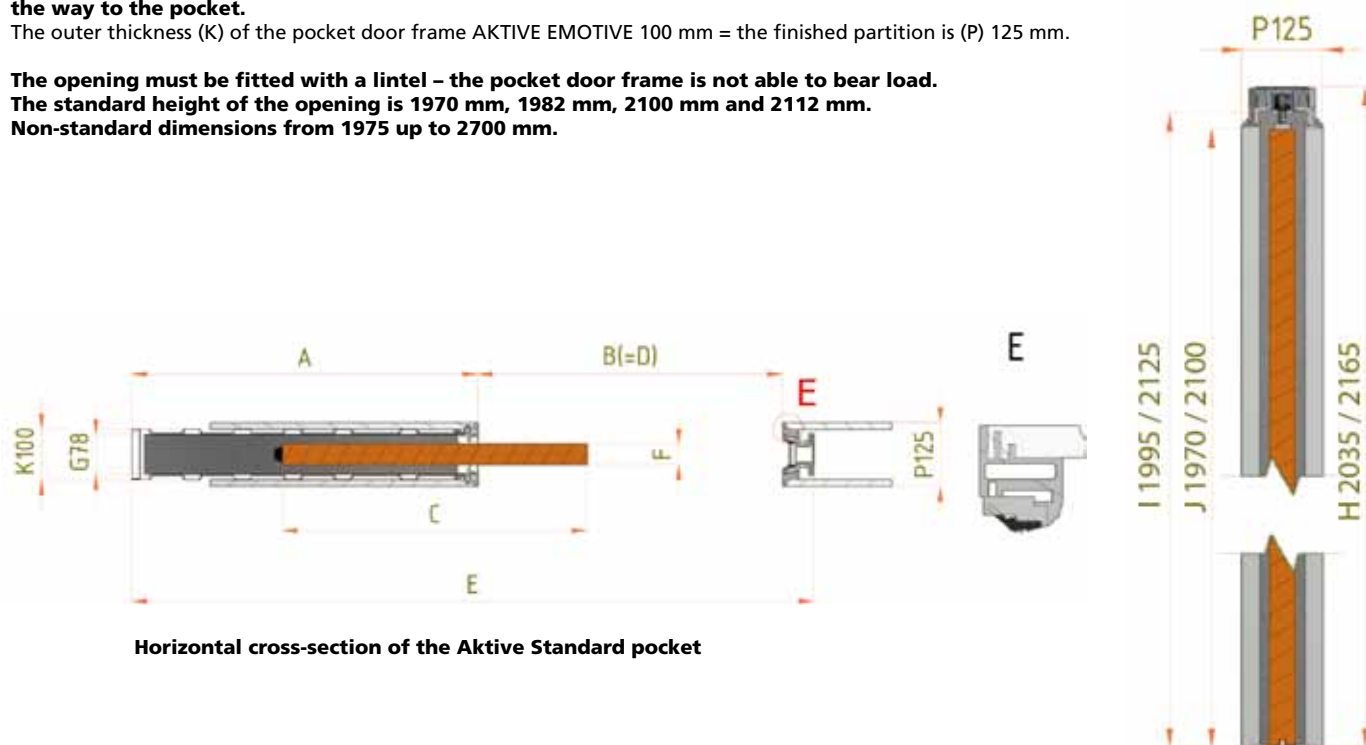
The recommended dimensions of the rough construction opening for drywall construction systems correspond with the dimensions of the pocket door frame E x H with the option of moving the raster from CW or UA profiles – lining the profiles all the way to the pocket.

The outer thickness (K) of the pocket door frame AKTIVE EMOTIVE 100 mm = the finished partition is (P) 125 mm.

The opening must be fitted with a lintel – the pocket door frame is not able to bear load.

The standard height of the opening is 1970 mm, 1982 mm, 2100 mm and 2112 mm.

Non-standard dimensions from 1975 up to 2700 mm.



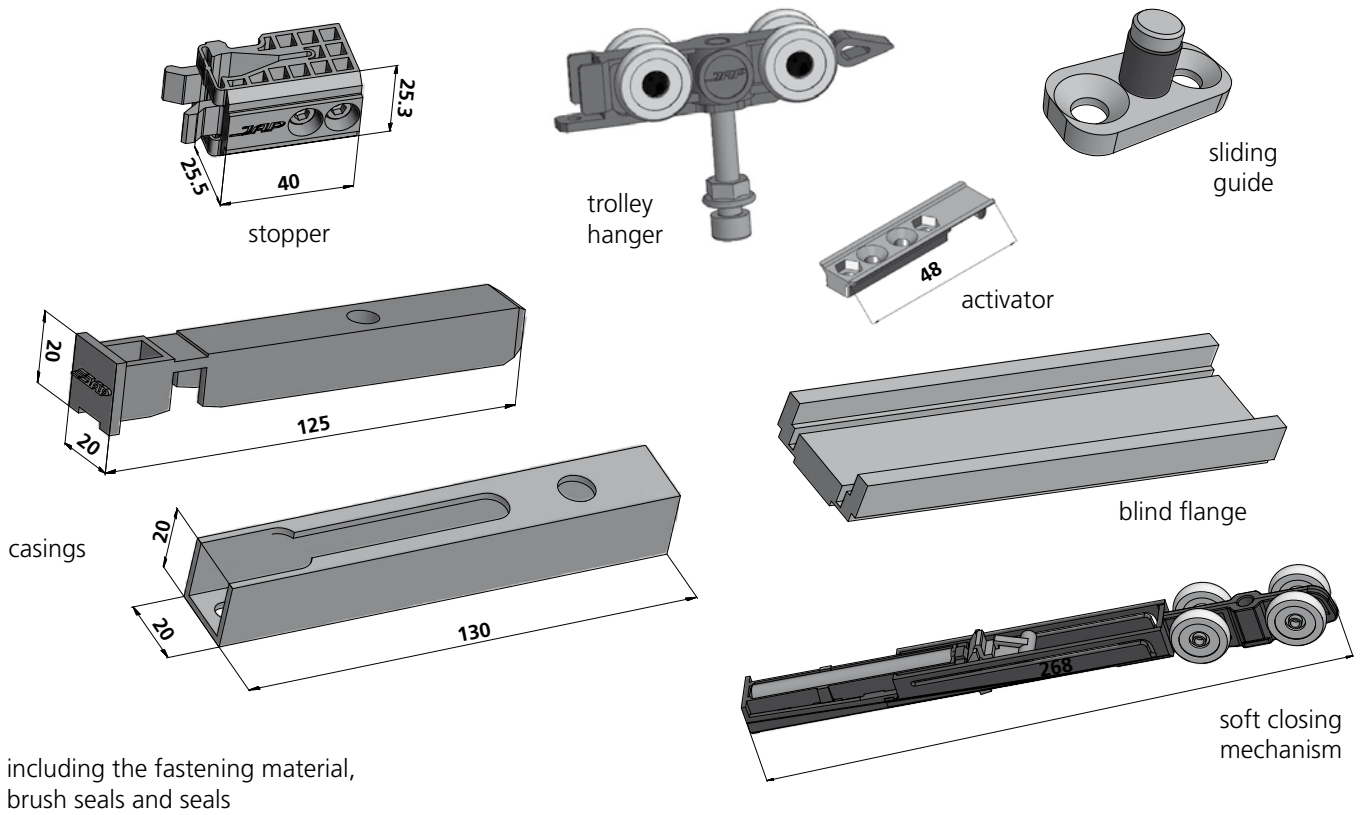
Horizontal cross-section of the Aktive Standard pocket

Vertical cross-section of the Aktive Standard pocket

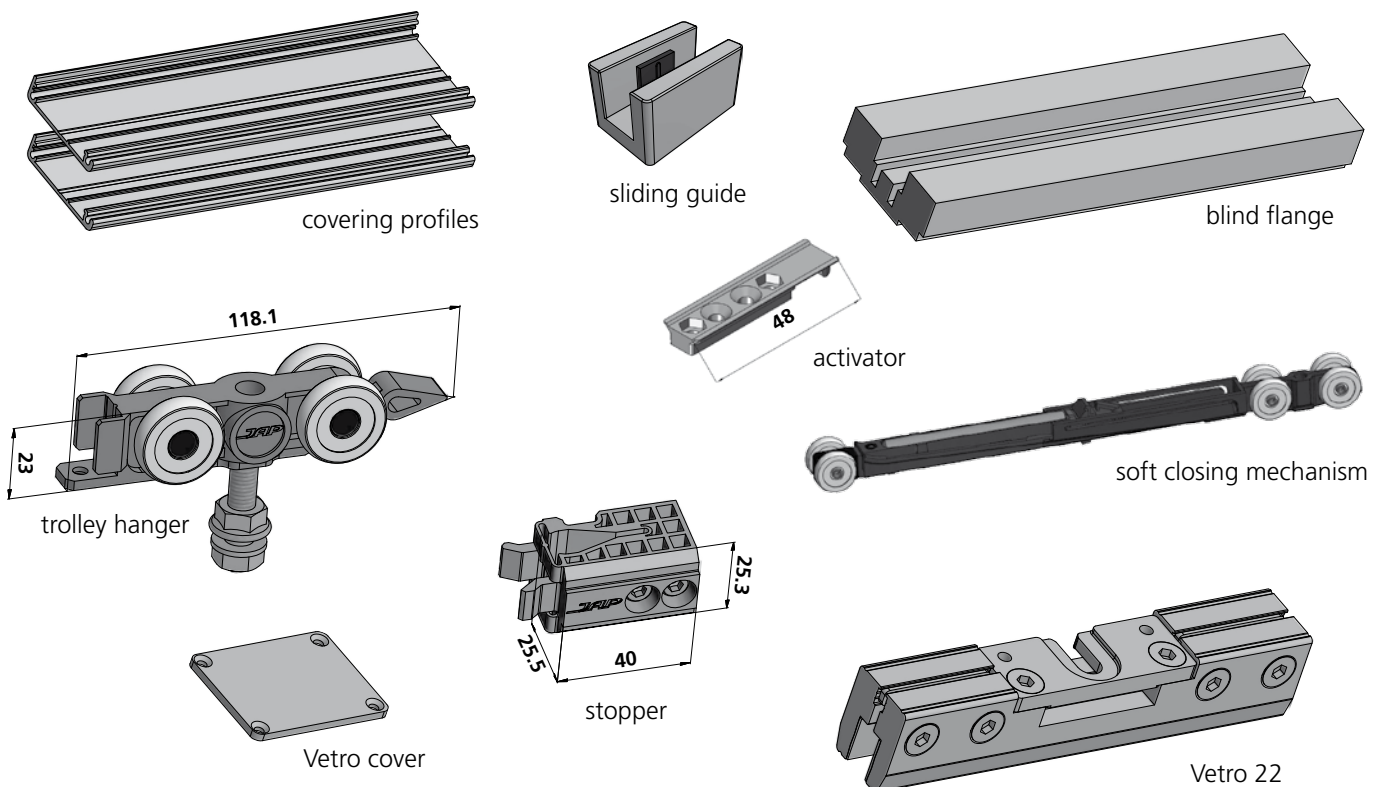
For hanging door leaves we recommend using the fixtures contained in the installation kit for wooden or glass doors for an additional fee.

## Accessories for the Aktive pocket door frames

for a fee for wooden doors



for a fee for glass doors



including the fastening material, brush seals and seals

JAP 702

Pocket door frame

**Aktive Komfort**



## The pocket door frame **Aktive Komfort**

is an assembly of two frameless pocket door frames connected together with a guide rail. Each pocket is intended for a one leaf of the door which slides-out against each other and the movement of the doors may be synchronized. The synchronizing travelling mechanism is included in the price. A design model of the pocket which is completely without a doorframe.

JAP 712 AKTIVE KOMFORT – 1970 mm			
net passage after fitting the framing D x J	total dimensions of the pocket door frame ExH	width of the metal sheet pocket A	thickness of the opening for the installation of the pocket door frame B = D
1250 x 1970	2612 x 2035	2x 681	1250
1450 x 1970	3012 x 2035	2x 781	1450
1650 x 1970	3412 x 2035	2x 881	1650
1850 x 1970	3812 x 2035	2x 981	1850
2050 x 1970	4212 x 2035	2x 1081	2050
2250 x 1970	4612 x 2035	2x 1181	2250
2450 x 1970	5012 x 2035	2x 1281	2450

The recommended dimensions of the door leaf		
standard dimension of the wooden door leaf C x L	maximum thickness of the door leaf F for K 100	standard dimension of the wooden door leaf C x L
(2x 650) x 1962	40	(2x 650) x 1950
(2x 750) x 1962		(2x 750) x 1950
(2x 850) x 1962		(2x 850) x 1950
(2x 950) x 1962		(2x 950) x 1950
(2x 1050) x 1962		(2x 1050) x 1950
(2x 1150) x 1962		(2x 1150) x 1950
(2x 1250) x 1962		(2x 1250) x 1950

JAP 712 AKTIVE KOMFORT – 2100 mm			
net passage after fitting the framing D x J	total dimensions of the pocket door frame ExH	width of the metal sheet pocket A	thickness of the opening for the installation of the pocket door frame B = D
1250 x 2100	2612 x 2165	2x 681	1250
1450 x 2100	3012 x 2165	2x 781	1450
1650 x 2100	3412 x 2165	2x 881	1650
1850 x 2100	3812 x 2165	2x 981	1850
2050 x 2100	4212 x 2165	2x 1081	2050
2250 x 2100	4612 x 2165	2x 1181	2250
2450 x 2100	5012 x 2165	2x 1281	2450

The recommended dimensions of the door leaf		
standard dimension of the wooden door leaf C x L	maximum thickness of the door leaf F for K 100	standard dimension of the wooden door leaf C x L
(2x 650) x 2092	40	(2x 650) x 2080
(2x 750) x 2092		(2x 750) x 2080
(2x 850) x 2092		(2x 850) x 2080
(2x 950) x 2092		(2x 950) x 2080
(2x 1050) x 2092		(2x 1050) x 2080
(2x 1150) x 2092		(2x 1150) x 2080
(2x 1250) x 2092		(2x 1250) x 2080

The recommended dimensions of the rough construction opening for the pocket door frame for brick systems are (H + 20 mm x E + 40 mm).

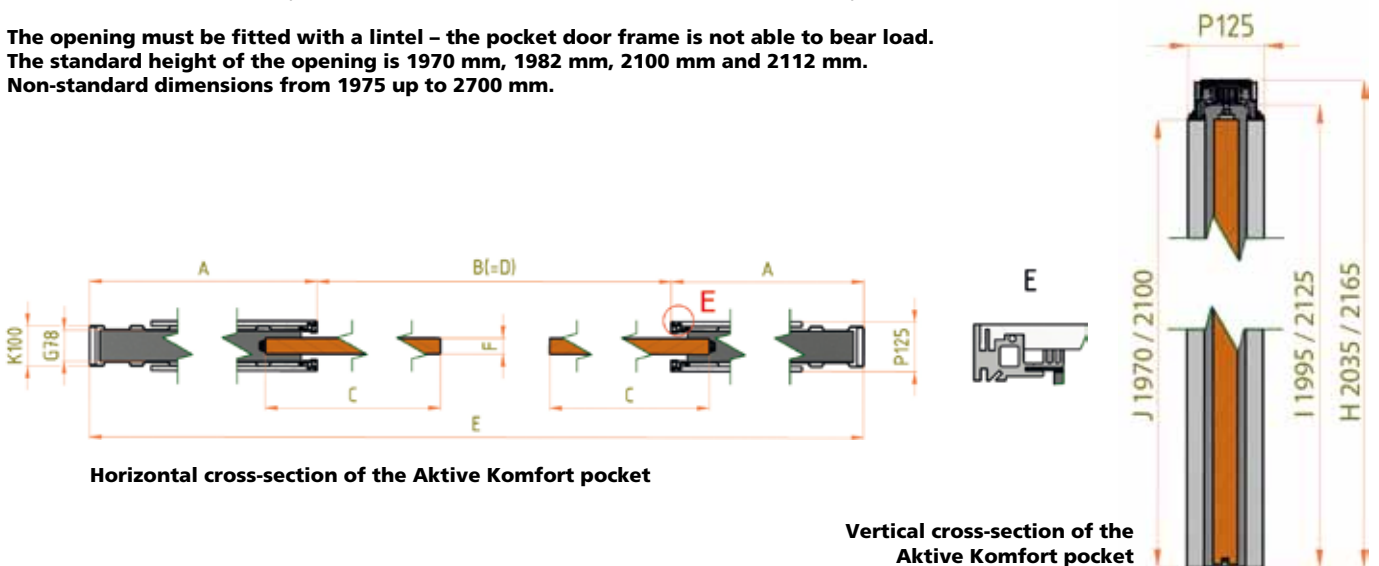
The recommended dimensions of the rough construction opening for drywall construction systems correspond with the dimensions of the pocket door frame E x H with the option of moving the raster from CW or UA profiles – lining the profiles all the way to the pocket.

The outer thickness (K) of the pocket door frame AKTIVE EMOTIVE 100 mm = the finished partition is (P) 125 mm.

The opening must be fitted with a lintel – the pocket door frame is not able to bear load.

The standard height of the opening is 1970 mm, 1982 mm, 2100 mm and 2112 mm.

Non-standard dimensions from 1975 up to 2700 mm.



# EMOTIVE

## EMOTIVE STANDARD

Wall



Drywall



the corner connection between the standing leg and the door header



the connection of the door header with the pocket door frame



protective frame



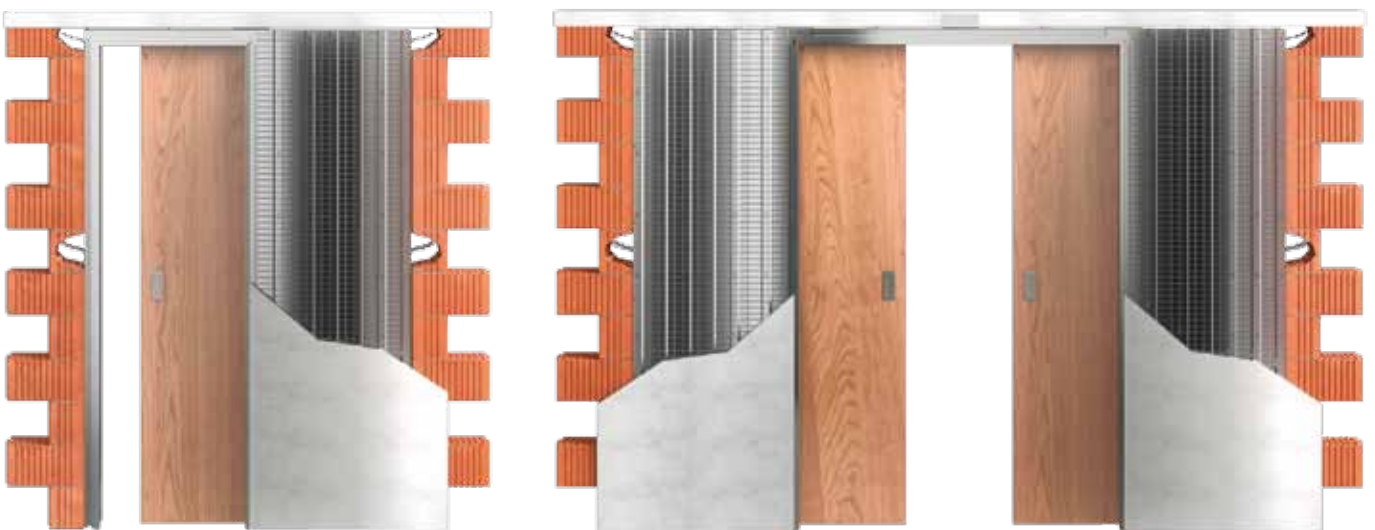
benchmark



## POCKET DOOR FRAMES EMOTIVE

The Emotive model is a clean and elegant line of frameless pocket door frames where the opening is lined with an aluminium frame which creates a design protection of the opening.

- intended for wooden and all-glass doors
- use for Drywalls and walls
- intended for the 125 mm finished thickness of the partition
- around the perimeter of the opening is a 17 mm protective aluminium frame
- synchronous sliding for the Emotive Komfort included in the price
- removable upper rail
- adjustable front and rear stoppers
- the option to buy a soft closing mechanism for the gradual closing of the doors
- the option of non-standard dimensions up to the height of 2,700 mm
- a high-quality travelling mechanism
- the entire pocket is from quality zinc-coated sheet metal and aluminium profiles
- a very quiet travelling mechanism in a special aluminium slat
- the pocket door frames follow the design of the complete line of concealed door frames Emotive for frames for reversible doors
- a 10-year warranty





JAP 703  
Pocket  
door frame  
**Emotive  
Standard**



Option  
with the glass doors

## The pocket door frame Emotive Standard

is a model of a frameless pocket door frame for sliding single leaf doors where instead of using a typical door frame a decorative aluminium frame is used (17 mm wide). The frame serves as a design feature and also a protective element.

JAP 703 Emotive STANDARD – 1970 mm			
net passage after fitting the framing D x J	total dimensions of the pocket door frame E x H	width of the metal sheet pocket A	thickness of the opening for the installation of the pocket door frame B
600 x 1970	1343 x 2035	681	600
700 x 1970	1543 x 2035	781	700
800 x 1970	1743 x 2035	881	800
900 x 1970	1943 x 2035	981	900
1000 x 1970	2143 x 2035	1081	1000
1100 x 1970	2343 x 2035	1181	1100
1200 x 1970	2543 x 2035	1281	1200

The recommended dimensions of the door leaf		
standard dimension of the wooden door leaf C x L	maximum thickness of the door leaf F for K 100	standard dimension of the wooden door leaf C x L
650 x 1962	40	650 x 1950
750 x 1962		750 x 1950
850 x 1962		850 x 1950
950 x 1962		950 x 1950
1050 x 1962		1050 x 1950
1150 x 1962		1150 x 1950
1250 x 1962		1250 x 1950

JAP 703 EMOTIVE STANDARD – 2100 mm			
net passage after fitting the framing D x J	total dimensions of the pocket door frame E x H	width of the metal sheet pocket A	thickness of the opening for the installation of the pocket door frame B
600 x 2100	1343 x 2165	681	600
700 x 2100	1543 x 2165	781	700
800 x 2100	1743 x 2165	881	800
900 x 2100	1943 x 2165	981	900
1000 x 2100	2143 x 2165	1081	1000
1100 x 2100	2343 x 2165	1181	1100
1200 x 2100	2543 x 2165	1281	1200

The recommended dimensions of the door leaf		
standard dimension of the wooden door leaf C x L	maximum thickness of the door leaf F for K 100	standard dimension of the wooden door leaf C x L
650 x 2092	40	650 x 2080
750 x 2092		750 x 2080
850 x 2092		850 x 2080
950 x 2092		950 x 2080
1050 x 2092		1050 x 2080
1150 x 2092		1150 x 2080
1250 x 2092		1250 x 2080

The recommended dimensions of the rough construction opening for the pocket door frames for brick systems are (H + 20 mm x E + 40 mm).

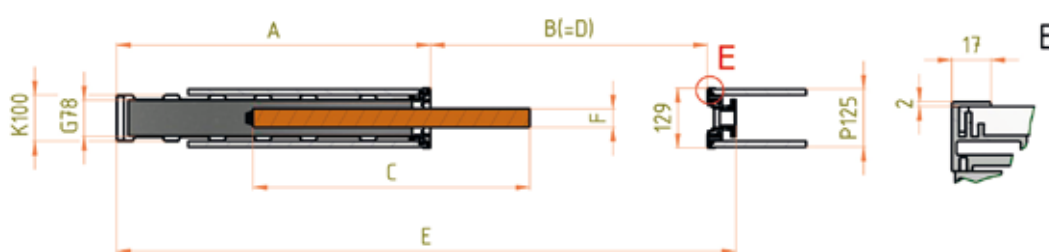
The recommended dimensions of the rough construction opening for drywall construction systems correspond with the dimensions of the pocket door frame E x H with the option of moving the raster from CW or UA profiles – lining the profiles all the way to the pocket.

The outer thickness (K) of the pocket door frame AKTIVE EMOTIVE 100 mm = the finished partition is (P) 125 mm.

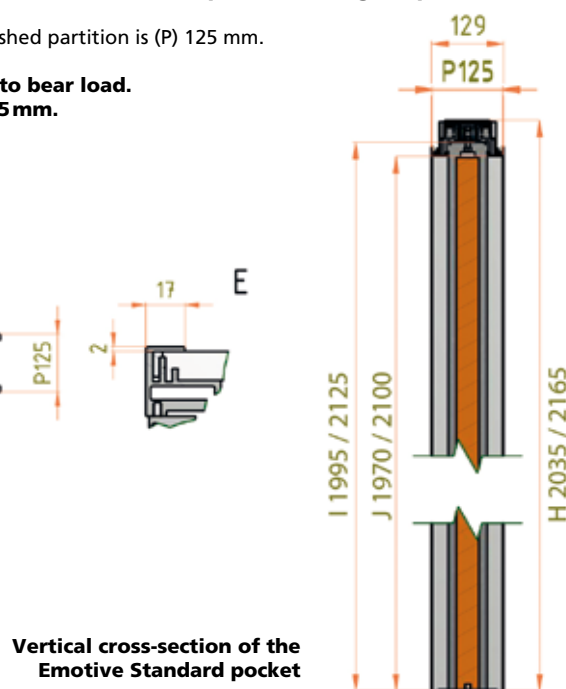
The opening must be fitted with a lintel – the pocket door frame is not able to bear load.

The standard height of the opening is 1970 mm, 1985mm, 2100 mm and 2115 mm.

Non-standard dimensions from 1975 up to 2700 mm.



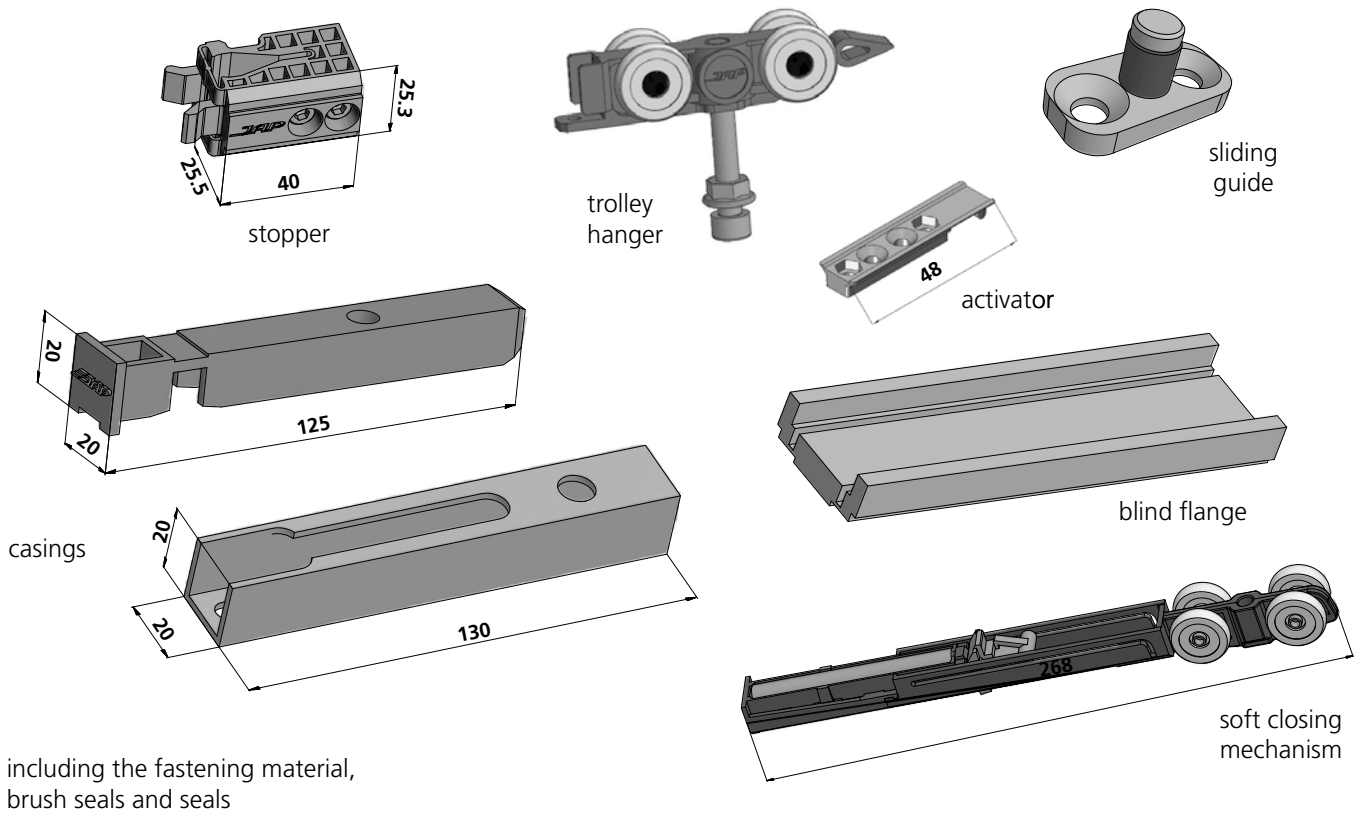
Horizontal cross-section of the Emotive Standard pocket



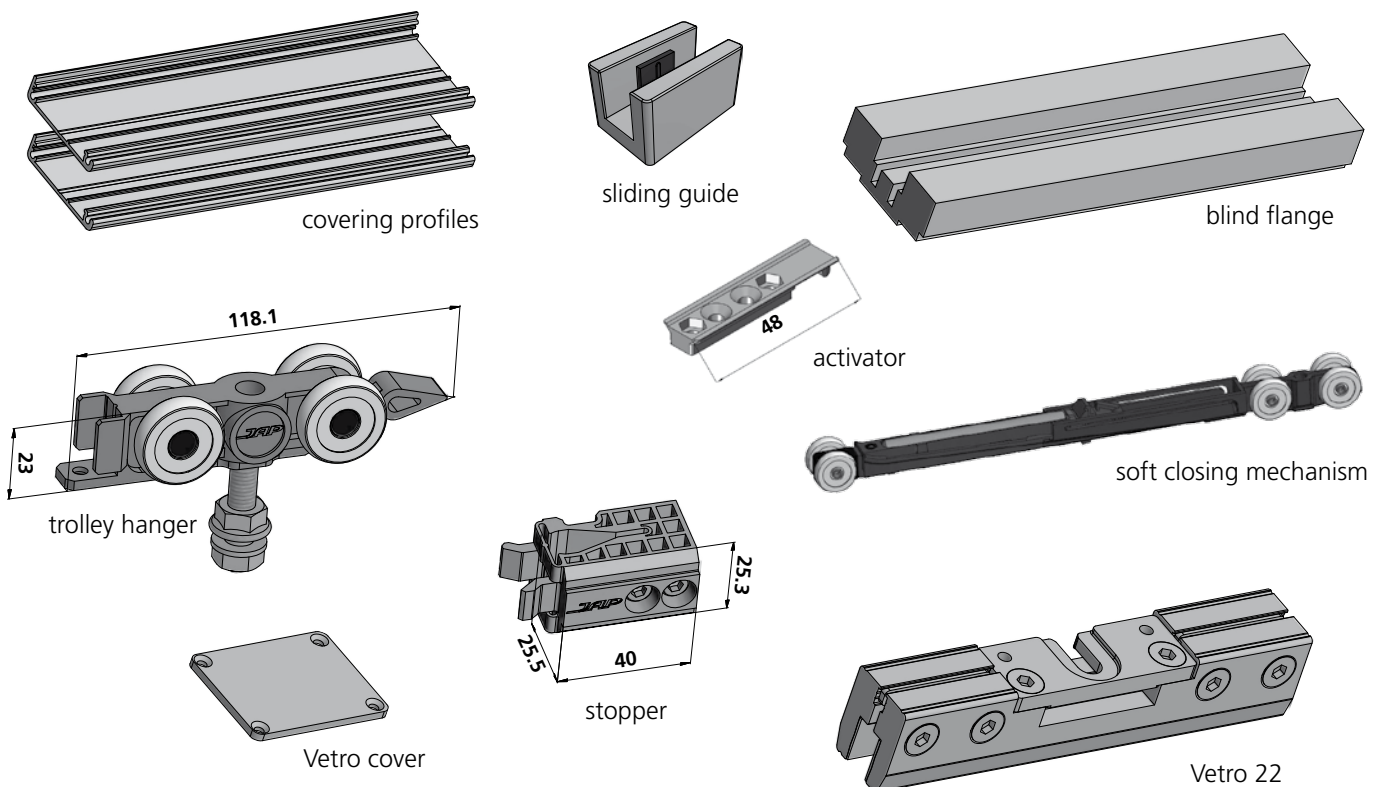
Vertical cross-section of the Emotive Standard pocket

# Accessories for the Emotive pocket door frames

for a fee for wooden doors



for a fee for glass doors



JAP 713

Pocket door frame

**Emotive Komfort**



## The pocket door frame Emotive Komfort

is an assembly of two frameless pocket door frames connected together with a guide rail. Each pocket is intended for a one leaf of the door which slide-out against each other and the movement of the doors may be synchronized. The synchronizing travelling mechanism is included in the price.

A door frame is not used, only a decorative aluminium frame (17 mm wide) which serves as a design feature and also a protective element.

JAP 713 EMOTIVE KOMFORT – 1970 mm				The recommended dimensions of the door leaf		
net passage after fitting the framing D x J	total dimensions of the pocket door frame ExH	width of the metal sheet pocket A	thickness of the opening for the installation of the pocket door frame B = D	standard dimension of the wooden door leaf C x L	maximum thickness of the door leaf F for K 100	standard dimension of the wooden door leaf C x L
1250 x 1970	2612 x 2035	2x 681	1250	(2x 650) x 1962	40	(2x 650) x 1950
1450 x 1970	3012 x 2035	2x 781	1450	(2x 750) x 1962		(2x 750) x 1950
1650 x 1970	3412 x 2035	2x 881	1650	(2x 850) x 1962		(2x 850) x 1950
1850 x 1970	3812 x 2035	2x 981	1850	(2x 950) x 1962		(2x 950) x 1950
2050 x 1970	4212 x 2035	2x 1081	2050	(2x 1050) x 1962		(2x 1050) x 1950
2250 x 1970	4612 x 2035	2x 1181	2250	(2x 1150) x 1962		(2x 1150) x 1950
2450 x 1970	5012 x 2035	2x 1281	2450	(2x 1250) x 1962		(2x 1250) x 1950

JAP 713 EMOTIVE KOMFORT – 2100 mm				The recommended dimensions of the door leaf		
net passage after fitting the framing D x J	total dimensions of the pocket door frame ExH	width of the metal sheet pocket A	thickness of the opening for the installation of the pocket door frame B = D	standard dimension of the wooden door leaf C x L	maximum thickness of the door leaf F for K 100	standard dimension of the wooden door leaf C x L
1250 x 2100	2612 x 2165	2x 681	1250	(2x 650) x 2092	40	(2x 650) x 2080
1450 x 2100	3012 x 2165	2x 781	1450	(2x 750) x 2092		(2x 750) x 2080
1650 x 2100	3412 x 2165	2x 881	1650	(2x 850) x 2092		(2x 850) x 2080
1850 x 2100	3812 x 2165	2x 981	1850	(2x 950) x 2092		(2x 950) x 2080
2050 x 2100	4212 x 2165	2x 1081	2050	(2x 1050) x 2092		(2x 1050) x 2080
2250 x 2100	4612 x 2165	2x 1181	2250	(2x 1150) x 2092		(2x 1150) x 2080
2450 x 2100	5012 x 2165	2x 1281	2450	(2x 1250) x 2092		(2x 1250) x 2080

The recommended dimensions of the rough construction opening for the pocket door frame for brick systems are (H + 20 mm x E + 40 mm).

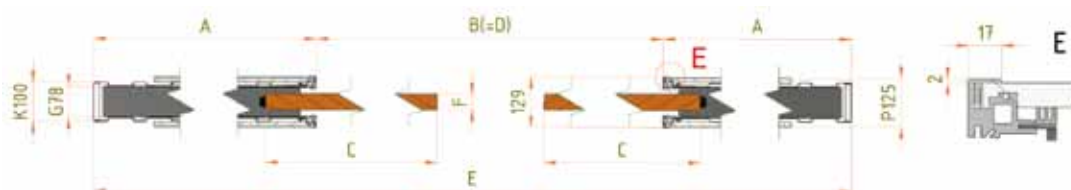
The recommended dimensions of the rough construction opening for drywall construction systems correspond with the dimensions of the pocket door frame E x H with the option of moving the raster from CW or UA profiles – lining the profiles all the way to the pocket.

The outer thickness (K) of the pocket door frame AKTIVE EMOTIVE 100 mm = the finished partition is (P) 125 mm.

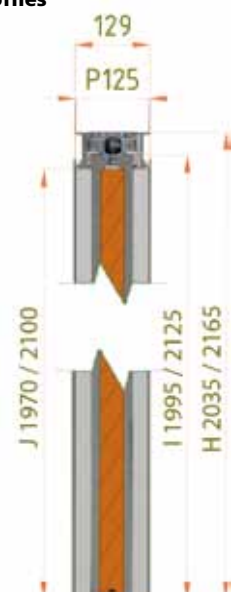
The opening must be fitted with a lintel – the pocket door frame is not able to bear load.

The standard height of the opening is 1970 mm, 1985 mm, 2100 mm and 2115 mm.

Non-standard dimensions from 1975 up to 2700 mm.



Horizontal cross-section of the Emotive Komfort pocket



Vertical cross-section of the Emotive Komfort pocket

# LATENTE

## LATENTE STANDARD

Wall



Drywal



anchoring plates for the wall



a detail of the plaster-grid on the mount of the pocket



benchmark



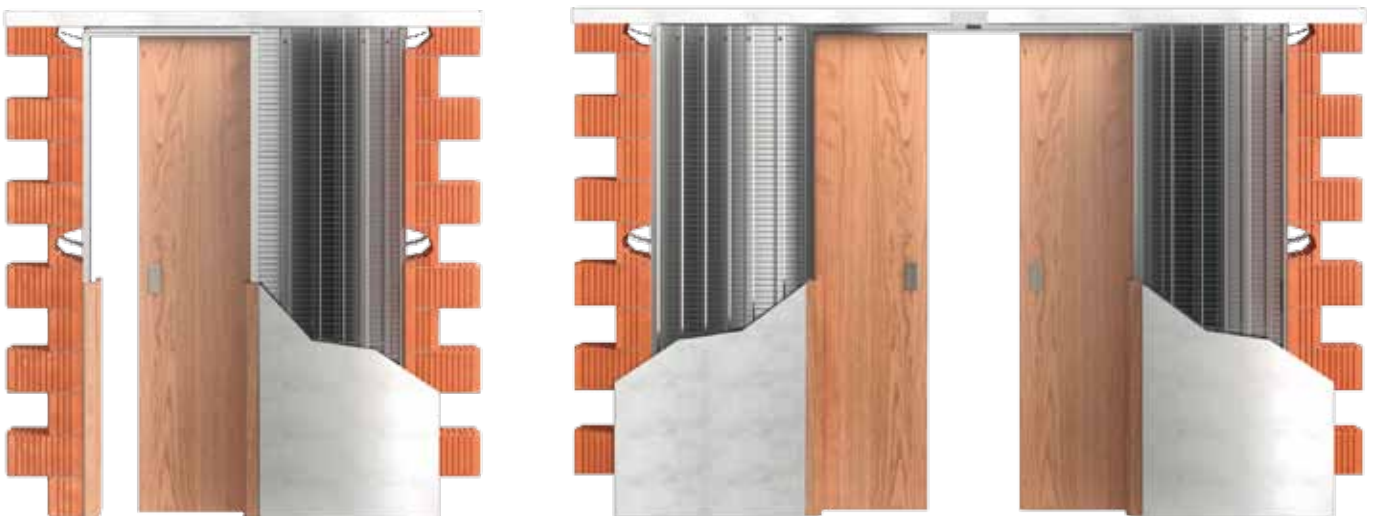
a detail of the upper section of the standing leg



## POCKET DOOR FRAMES LATENTE

The Latente model is a line of framed pocket door frames where the door frame is flushed with the wall but is not concealed

- intended for wooden and all-glass doors
- use for Drywalls and walls
- synchronous sliding for the Komfort type included in the price
- removable upper rail
- adjustable front and rear stoppers
- the option to buy a soft closing mechanism for the gradual closing of the doors
- the option of non-standard dimensions up to the height of 2,700 mm
- a high-quality travelling mechanism
- compatibility with all the manufacturers of doors
- the entire pocket is from quality zinc-coated sheet metal
- a very quiet travelling mechanism in a special aluminium slat
- a 10-year warranty



JAP 701  
Pocket  
door frame  
**Latente  
Standard**



## The pocket door frame Latente Standard

is intended for single leaf sliding doors where the door frame is flushed with the wall.

50 mm + 12 mm + 3 mm (width of the frame + width of the half-groove + width of the shadow groove)

JAP 701 LATENTE STANDARD – 1970 mm			
net passage after fitting the framing D x J	total dimensions of the pocket door frame ExH	width of the metal sheet pocket A	thickness of the opening for the installation of the pocket door frame B
600 x 1970	1392 x 2053	690	680
700 x 1970	1592 x 2053	790	780
800 x 1970	1792 x 2053	890	880
900 x 1970	1992 x 2053	990	980
1000 x 1970	2192 x 2053	1090	1080
1100 x 1970	2392 x 2053	1190	1180
1200 x 1970	2592 x 2053	1290	1280

The recommended dimensions of the door leaf	
net passage after fitting the framing C x L	maximum thickness of the door leaf F for K 100
650 x 1985	68
750 x 1985	
850 x 1985	
950 x 1985	
1050 x 1985	
1150 x 1985	
1250 x 1985	

JAP 701 LATENTE STANDARD – 2100 mm			
net passage after fitting the framing D x J	total dimensions of the pocket door frame ExH	width of the metal sheet pocket A	thickness of the opening for the installation of the pocket door frame B
600 x 2100	1392 x 2183	690	680
700 x 2100	1592 x 2183	790	780
800 x 2100	1792 x 2183	890	880
900 x 2100	1992 x 2183	990	980
1000 x 2100	2192 x 2183	1090	1080
1100 x 2100	2392 x 2183	1190	1180
1200 x 2100	2592 x 2183	1290	1280

The recommended dimensions of the door leaf	
net passage after fitting the framing C x L	maximum thickness of the door leaf F for K 100
650 x 2115	68
750 x 2115	
850 x 2115	
950 x 2115	
1050 x 2115	
1150 x 2115	
1250 x 2115	

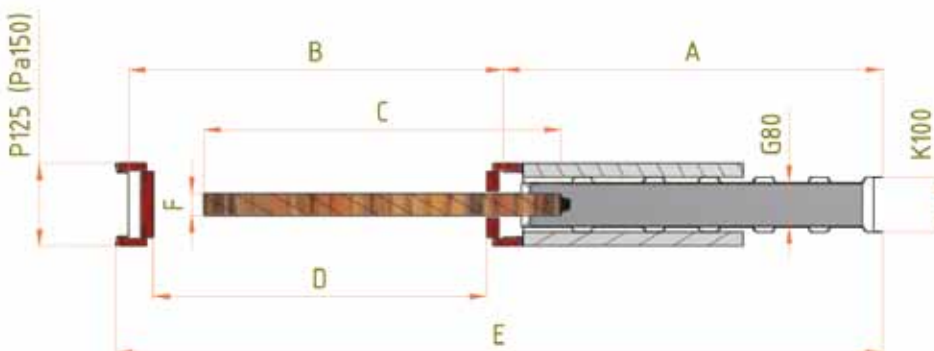
The real opening dimensions D = 606 – 1206 mm

The recommended dimensions of the rough construction opening for the pocket door frame for brick systems are (H + 20 mm x E + 40 mm).

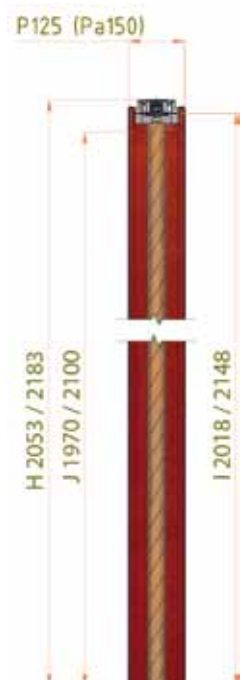
The recommended dimensions of the rough construction opening for the drywall systems correspond with the dimensions of the pocket door frame E x H with the option of moving the raster from CW or UA profiles – lining the profiles all the way to the pocket.

The outer thickness (K) 100 mm of the pocket door frame LATENTE Standard = the finished partition (P) 125 mm (Pa) 150 mm.

The opening must be fitted with a lintel – the pocket door frame is not able to bear load. As standard, the net passage after fitting is 1970 mm and 2100 mm. Non-standard dimensions from 1980 up to 2700 mm.



Horizontal cross-section of the Latente Standard pocket



Vertical cross-section of the Latente Standard pocket

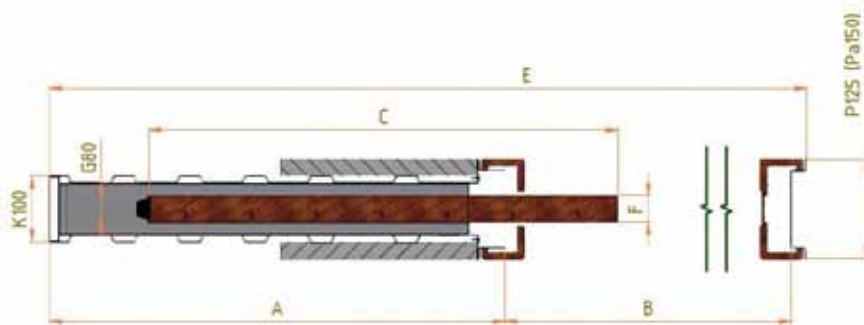
65 mm + 0 mm + 1 mm (width of the frame + width of the half-groove + width of the shadow groove)

JAP 701 LATENTE STANDARD – 1970 mm			
net passage after fitting the framing D x J	total dimensions of the pocket door frame ExH	width of the metal sheet pocket A	thickness of the opening for the installation of the pocket door frame B
600 x 1970	1388 x 2054	690	676
700 x 1970	1588 x 2054	790	776
800 x 1970	1788 x 2054	890	876
900 x 1970	1988 x 2054	990	976
1000 x 1970	2188 x 2054	1090	1076
1100 x 1970	2388 x 2054	1190	1176
1200 x 1970	2588 x 2054	1290	1276

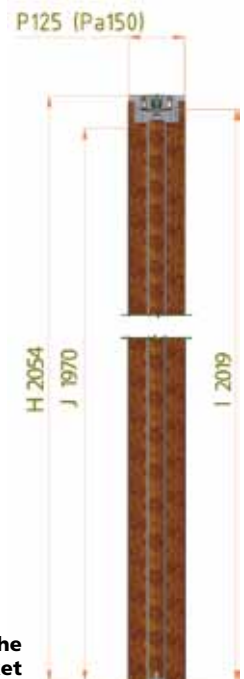
The recommended dimensions of the door leaf	
net passage after fitting the framing C x L	maximum thickness of the door leaf F for K 100
650 x 1985	68
750 x 1985	
850 x 1985	
950 x 1985	
1050 x 1985	
1150 x 1985	
1250 x 1985	

JAP 701 LATENTE STANDARD – 2100 mm			
net passage after fitting the framing D x J	total dimensions of the pocket door frame ExH	width of the metal sheet pocket A	thickness of the opening for the installation of the pocket door frame B
600 x 2100	1388 x 2184	690	676
700 x 2100	1588 x 2184	790	776
800 x 2100	1788 x 2184	890	876
900 x 2100	1988 x 2184	990	976
1000 x 2100	2188 x 2184	1090	1076
1100 x 2100	2388 x 2184	1190	1176
1200 x 2100	2588 x 2184	1290	1276

The recommended dimensions of the door leaf	
net passage after fitting the framing C x L	maximum thickness of the door leaf F for K 100
650 x 2115	68
750 x 2115	
850 x 2115	
950 x 2115	
1050 x 2115	
1150 x 2115	
1250 x 2115	



Horizontal cross-section of the Latente Standard pocket



Vertical cross-section of the Latente Standard pocket

JAP 711

Pocket door frame

**Latente Komfort**



## The pocket door frame Latente Komfort

is an assembly of two pocket door frames connected together with a guide rail. Each pocket is intended for a one leaf of the door which slide-out against each other and the movement of the doors may be synchronized. The synchronizing travelling mechanism is included in the price. The door frame is flushed with wall.

50 mm + 12 mm + 3 mm (width of the frame + width of the half-groove + width of the shadow groove)

JAP 711 LATENTE KOMFORT – 1970 mm			
net passage after fitting the framing D x J	total dimensions of the pocket door frame E x H	width of the metal sheet pocket A	thickness of the opening for the installation of the pocket door frame B
1250 x 1970	2696 x 2053	690	1316
1450 x 1970	3096 x 2053	790	1516
1650 x 1970	3496 x 2053	890	1716
1850 x 1970	3896 x 2053	990	1916
2050 x 1970	4296 x 2053	1090	2116
2250 x 1970	4696 x 2053	1190	2316
2450 x 1970	5096 x 2053	1290	2516

The recommended dimensions of the door leaf	
net passage after fitting the framing C x L	maximum thickness of the door leaf F for K 100
(2x 650) x 1985	68
(2x 750) x 1985	
(2x 850) x 1985	
(2x 950) x 1985	
(2x 1050) x 1985	
(2x 1150) x 1985	
(2x 1250) x 1985	

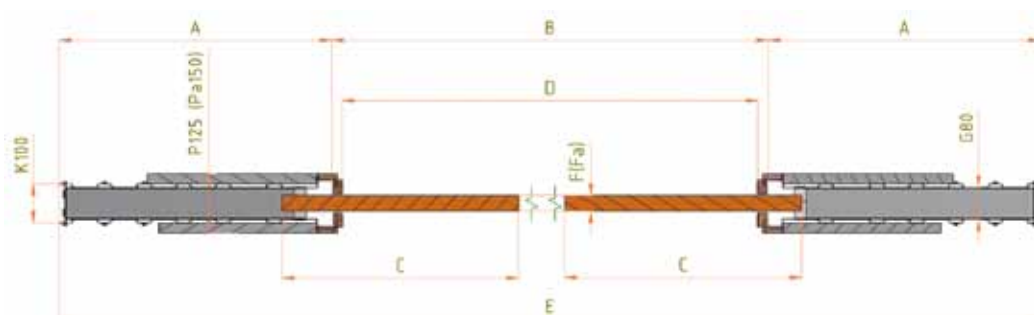
JAP 711 LATENTE KOMFORT – 2100 mm			
net passage after fitting the framing D x J	total dimensions of the pocket door frame E x H	width of the metal sheet pocket A	thickness of the opening for the installation of the pocket door frame B
1250 x 2100	2696 x 2183	690	1316
1450 x 2100	3096 x 2183	790	1516
1650 x 2100	3496 x 2183	890	1716
1850 x 2100	3896 x 2183	990	1916
2050 x 2100	4296 x 2183	1090	2116
2250 x 2100	4696 x 2183	1190	2316
2450 x 2100	5096 x 2183	1290	2516

The recommended dimensions of the door leaf	
net passage after fitting the framing C x L	maximum thickness of the door leaf F for K 100
(2x 650) x 2115	68
(2x 750) x 2115	
(2x 850) x 2115	
(2x 950) x 2115	
(2x 1050) x 2115	
(2x 1150) x 2115	
(2x 1250) x 2115	

The recommended dimensions of the rough construction opening for the pocket door frame for brick systems are (H + 20 mm x E + 40 mm).

The recommended dimensions of the rough construction opening for the drywall systems correspond with the dimensions of the pocket door frame E x H with the option of moving the raster from CW or UA profiles – lining the profiles all the way to the pocket. The outer thickness (K) 100 mm of the pocket door frame LATENTE Komfort = the finished partition (P) 125 mm (Pa) 150 mm.

The opening must be fitted with a lintel – the pocket door frame is not able to bear load. As standard, net passage after fitting is 1970 mm and 2100 mm. Non-standard dimensions from 1980 up to 2700 mm.



Horizontal cross-section of the Latente Komfort pocket



Vertical cross-section of the Latente Komfort pocket

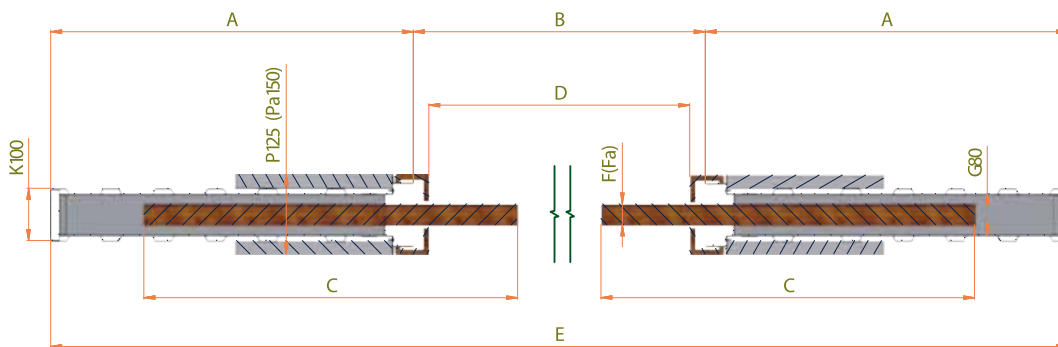
65mm + 0mm + 1mm (width of the frame + width of the half-groove + width of the shadow groove)

JAP 711 LATENTE KOMFORT – 1970mm			
net passage after fitting the framing D x J	total dimensions of the pocket door frame ExH	width of the metal sheet pocket A	thickness of the opening for the installation of the pocket door frame B
1250 x 1970	2692 x 2054	690	1312
1450 x 1970	3092 x 2054	790	1512
1650 x 1970	3492 x 2054	890	1712
1850 x 1970	3892 x 2054	990	1912
2050 x 1970	4292 x 2054	1090	2112
2250 x 1970	4692 x 2054	1190	2312
2450 x 1970	5092 x 2054	1290	2512

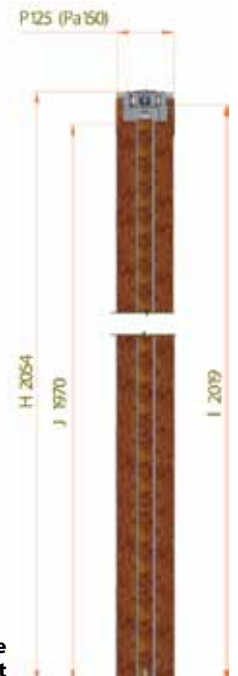
The recommended dimensions of the door leaf	
net passage after fitting the framing C x L	maximum thickness of the door leaf F for K 100
(2x 650) x 1985	68
(2x 750) x 1985	
(2x 850) x 1985	
(2x 950) x 1985	
(2x 1050) x 1985	
(2x 1150) x 1985	
(2x 1250) x 1985	

JAP 711 LATENTE KOMFORT – 2100mm			
net passage after fitting the framing D x J	total dimensions of the pocket door frame ExH	width of the metal sheet pocket A	thickness of the opening for the installation of the pocket door frame B
1250 x 2100	2692 x 2184	690	1312
1450 x 2100	3092 x 2184	790	1512
1650 x 2100	3492 x 2184	890	1712
1850 x 2100	3892 x 2184	990	1912
2050 x 2100	4292 x 2184	1090	2112
2250 x 2100	4692 x 2184	1190	2312
2450 x 2100	5092 x 2184	1290	2512

The recommended dimensions of the door leaf	
net passage after fitting the framing C x L	maximum thickness of the door leaf F for K 100
(2x 650) x 2115	68
(2x 750) x 2115	
(2x 850) x 2115	
(2x 950) x 2115	
(2x 1050) x 2115	
(2x 1150) x 2115	
(2x 1250) x 2115	



Horizontal cross-section of the Latente Komfort pocket



Vertical cross-section of the Latente Komfort pocket

# PROFIKIT

NEW

## PROFIKIT STANDARD



## PROFIKIT KOMFORT



a detail of the fitting of the standing leg and door header



fitting of the brace



detail of the standing leg



connection of the door header



## POCKET DOOR FRAMES PROFIKIT

The Profikit model is a framed assembled pocket door frame

- intended for wooden and all-glass doors
- usable only for drywalls
- manufactured for both single leaf and double leaf doors
- intended for the 100 a 125 mm finished thickness of the partition
- removable upper rail
- adjustable front and rear stoppers
- the option to buy a soft closing mechanism for the gradual closing of the doors
- a high-quality travelling mechanism
- compatibility with all the manufacturers of doors
- we do not manufacture non-standard dimensions of the Profikit pocket
- takes up 6x less space during storage or transport than a typical pocket door frame
- better handling on the worksite (loading, off-loading, transfer)
- a 10-year warranty



## The pocket door frame Profikit Standard

is a pocket for single leaf sliding doors which is identical in function with the pocket door frame Norma Standard but differs in its lightened design.

JAP 706 PROFIKIT STANDARD – 1970 mm			
net passage after fitting the frames D x J	total dimensions of the pocket door frame ExH	width of the metal sheet pocket A	thickness of the opening for the installation of the pocket door frame B
600 x 1970	1345 x 2060	650	670
700 x 1970	1545 x 2060	750	770
800 x 1970	1745 x 2060	850	870
900 x 1970	1945 x 2060	950	970
1000 x 1970	2145 x 2060	1050	1070
1100 x 1970	2345 x 2060	1150	1170
1200 x 1970	2545 x 2060	1250	1270

The recommended dimensions of the door leaf		
standard dimension of the door leaf C x L	maximum thickness of the door leaf F for K 100 mm	maximum thickness of the door leaf Fa for Ka 75 mm
650 x 1985	65	40
750 x 1985		
850 x 1985		
950 x 1985		
1050 x 1985		
1150 x 1985		
1250 x 1985		

JAP 706 PROFIKIT STANDARD – 2100 mm			
net passage after fitting the frames D x J	total dimensions of the pocket door frame ExH	width of the metal sheet pocket A	thickness of the opening for the installation of the pocket door frame B
600 x 2100	1345 x 2190	650	670
700 x 2100	1545 x 2190	750	770
800 x 2100	1745 x 2190	850	870
900 x 2100	1945 x 2190	950	970
1000 x 2100	2145 x 2190	1050	1070
1100 x 2100	2345 x 2190	1150	1170
1200 x 2100	2545 x 2190	1250	1270

The recommended dimensions of the door leaf		
standard dimension of the door leaf C x L	maximum thickness of the door leaf F for K 100 mm	maximum thickness of the door leaf Fa for Ka 75 mm
650 x 2115	65	40
750 x 2115		
850 x 2115		
950 x 2115		
1050 x 2115		
1150 x 2115		
1250 x 2115		

All dimensions are listed in mm.

The construction opening corresponds to the dimensions of the pocket door frame – after its fitting into the construction opening, it is necessary to adjust the opening by sliding the CW or UA profiles up to the pocket door frame. The pocket door frame is not able to bear load.

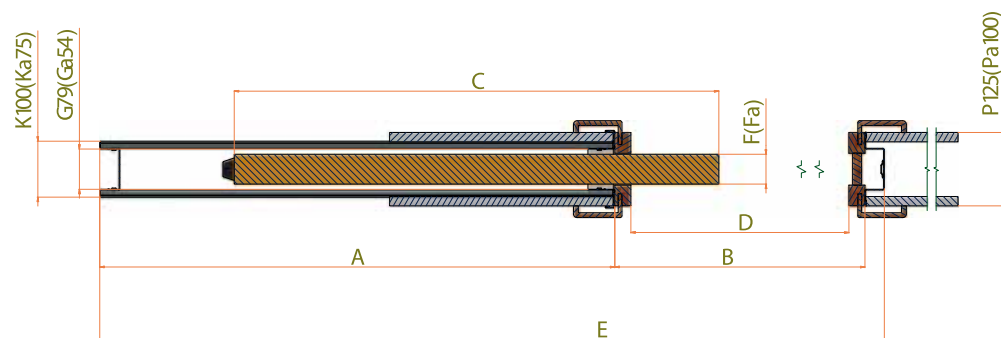
The outer thickness of the pocket door frame K is 100 mm = the finished partition is P = 125 mm.

An alternative thickness of the pocket Ka is 75 mm = the finished thickness of the partition Pa is 100 mm – this only applies for an opening height of 1970 mm.

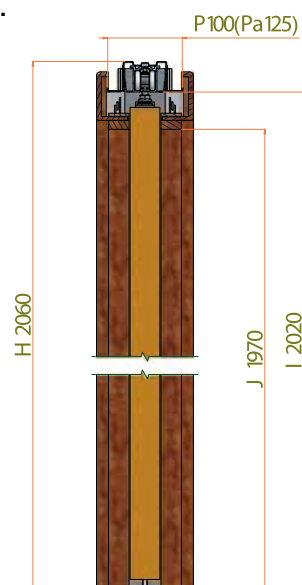
The height of the pocket door frame for a finished thickness of the partition P = 125 mm is G = 79 mm.

The height of the pocket door frame for a finished thickness of the partition P = 100 mm is G = 54 mm.

As standard, the net passage after fitting is 1970 mm and 2100 mm. We do not manufacture non-standard dimensions.



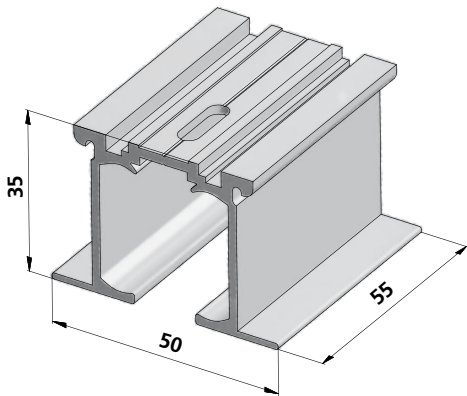
Horizontal cross-section of the Profikit pocket



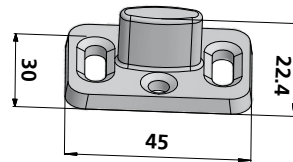
Vertical cross-section of the Profikit pocket

## Accessories for the Profikit pocket door frames

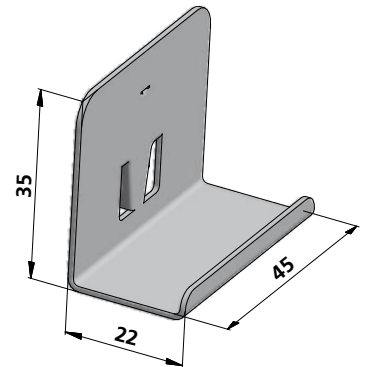
included in the price



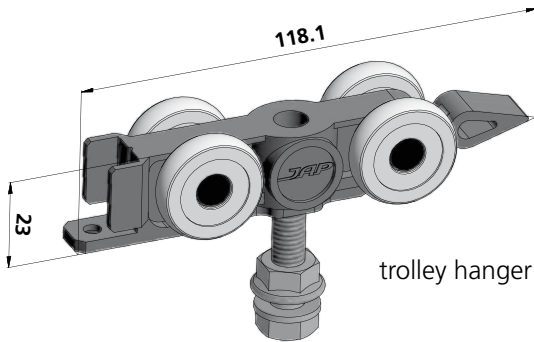
an accessory of the Norma Standard rail



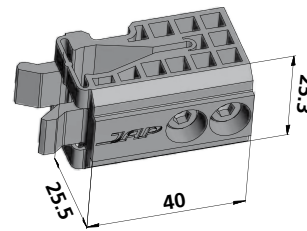
sliding guide



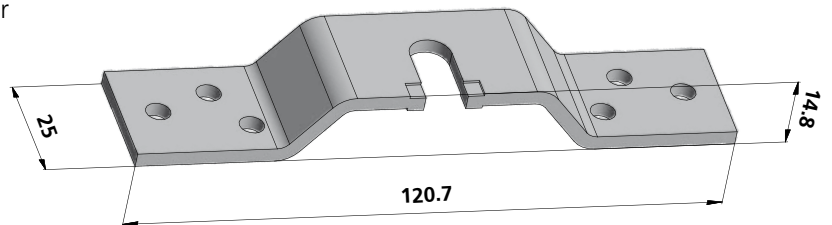
drywall bracket



trolley hanger



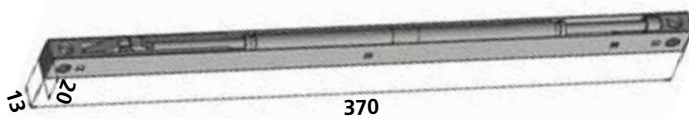
stopper



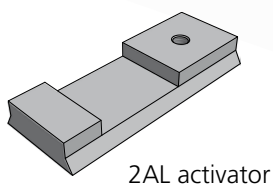
door carrier

including the fastening material

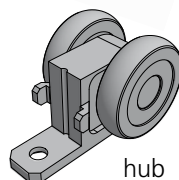
for a fee



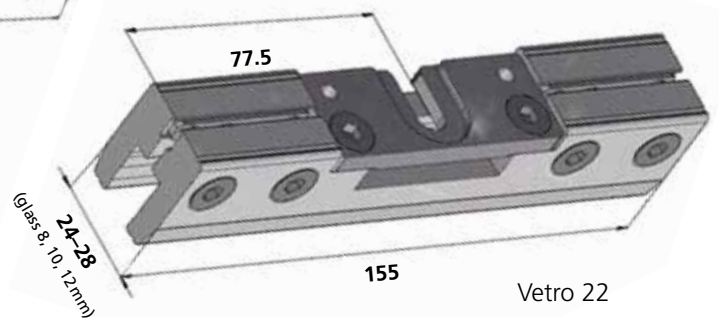
soft closing mechanism



2AL activator



hub



Vetro 22

including the fastening material

## The pocket door frame Profikit Komfort

is an assembly of two pocket door frames connected together with a guide rail and the door leaves which slide against each other.

The movement of the doors may be synchronized and the synchronous travelling mechanism is included in the price.

With its function, it is identical with the pocket door frame Norma Komfort but differs in the lightened design.

JAP 716 PROFIKIT KOMFORT – 1970 mm			
net passage after fitting the frames D x J	total dimensions of the pocket door frame E x H	width of the metal sheet pocket A	thickness of the opening for the installation of the pocket door frame B
1250 x 1970	2600 x 2060	650	1300
1450 x 1970	3000 x 2060	750	1500
1650 x 1970	3400 x 2060	850	1700
1850 x 1970	3800 x 2060	950	1900
2050 x 1970	4200 x 2060	1050	2100
2250 x 1970	4600 x 2060	1150	2300
2450 x 1970	5000 x 2060	1250	2500

The recommended dimensions of the door leaf		
standard dimension of the door leaf C x L	maximum thickness of the door leaf F for K 100 mm	maximum thickness of the door leaf Fa for Ka 75 mm
(2x 650) x 1985	65	40
(2x 750) x 1985		
(2x 850) x 1985		
(2x 950) x 1985		
(2x 1050) x 1985		
(2x 1150) x 1985		
(2x 1250) x 1985		

JAP 716 PROFIKIT KOMFORT – 2100 mm			
net passage after fitting the frames D x J	total dimensions of the pocket door frame E x H	width of the metal sheet pocket A	thickness of the opening for the installation of the pocket door frame B
1250 x 2100	2600 x 2190	650	1300
1450 x 2100	3000 x 2190	750	1500
1650 x 2100	3400 x 2190	850	1700
1850 x 2100	3800 x 2190	950	1900
2050 x 2100	4200 x 2190	1050	2100
2250 x 2100	4600 x 2190	1150	2300
2450 x 2100	5000 x 2190	1250	2500

The recommended dimensions of the door leaf		
standard dimension of the door leaf C x L	maximum thickness of the door leaf F for K 100 mm	maximum thickness of the door leaf Fa for Ka 75 mm
(2x 650) x 2115	65	40
(2x 750) x 2115		
(2x 850) x 2115		
(2x 950) x 2115		
(2x 1050) x 2115		
(2x 1150) x 2115		
(2x 1250) x 2115		

All dimensions are listed in mm.

The construction opening corresponds to the dimensions of the pocket door frame E x H – after its fitting into the construction opening,

it is necessary to adjust the opening by sliding the CW or UA profiles up to the pocket door frame.

The pocket door frame is not able to bear load.

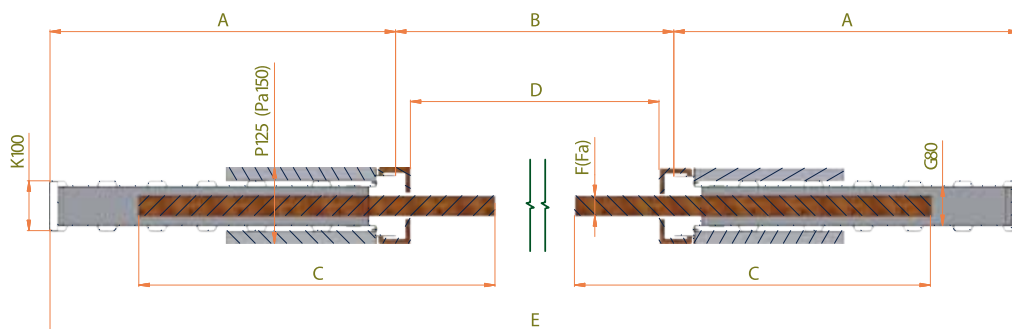
The outer thickness of the pocket door frame K is 10 mm = the finished partition is P = 125 mm

The outer thickness of the pocket door frame Ka is 75 mm = the finished partition is Pa 100 mm

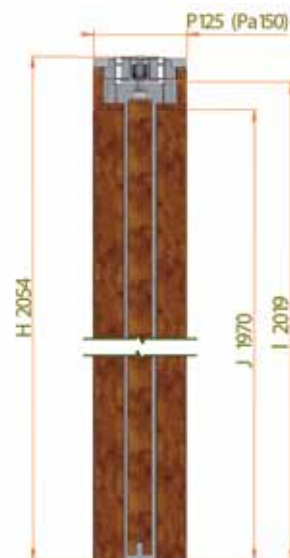
– this only applies for an opening height of 1970 mm.

The height of the pocket door frame for a finished thickness of the partition P = 125 mm is G = 79 mm.

The height of the pocket door frame for a finished thickness of the partition Pa = 100 mm is G = 54 mm.



Horizontal cross-section of the Profikit Komfort pocket



Vertical cross-section of the Profikit Komfort pocket

# THE OFFERED FITTINGS FOR SLIDING DOORS

Available in the offered versions:



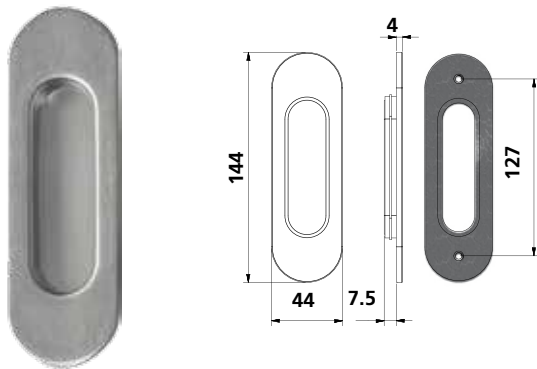
OSC – matte chrome



OC – gloss chrome

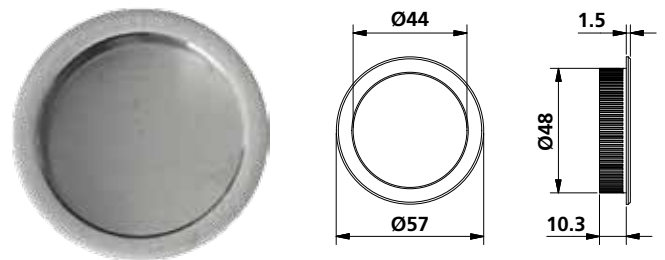


LV – gloss brass



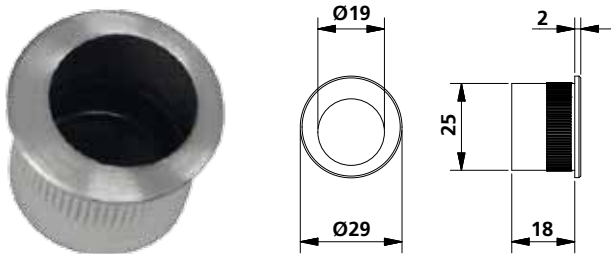
### 521 - OVAL DOOR PULL

Oval door pull without holes with hidden screws.



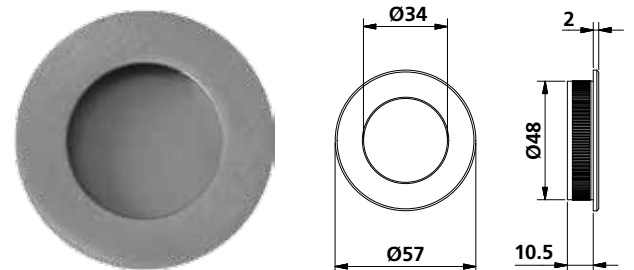
### 524 - ROUND DOOR PULL

Round door pull without holes with a wide centre.



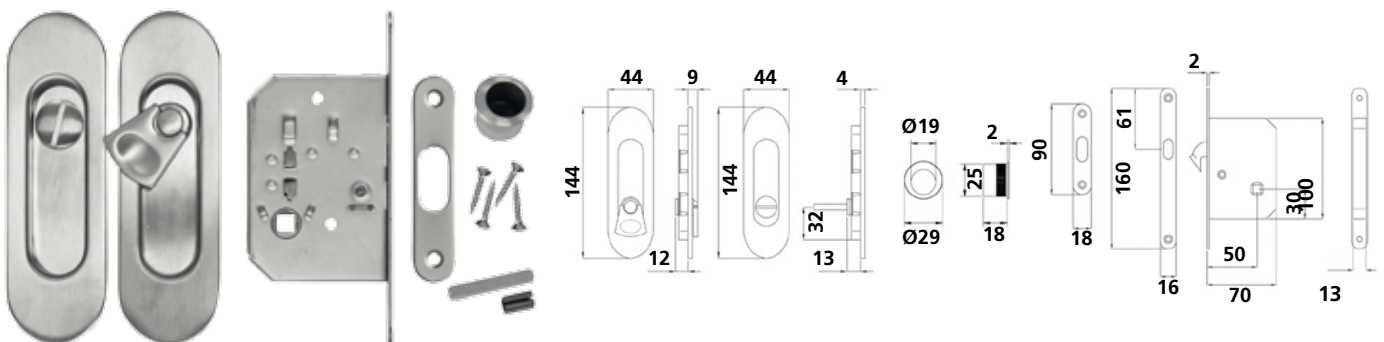
### 525 - FRONT PULL

Front pull.



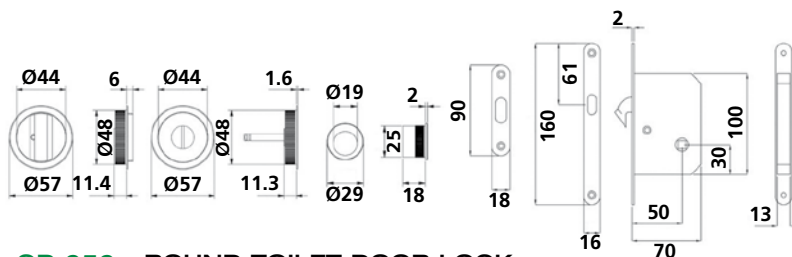
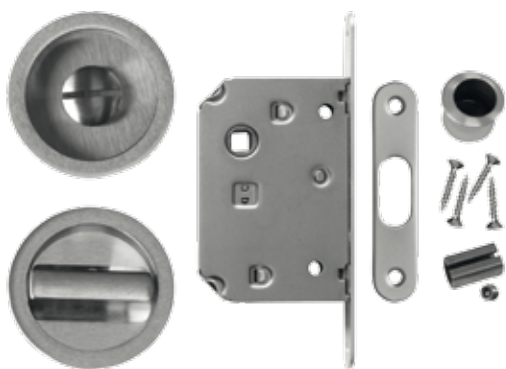
### 529 - NARROW ROUND DOOR PULL

Round door pull without holes with a narrow centre.



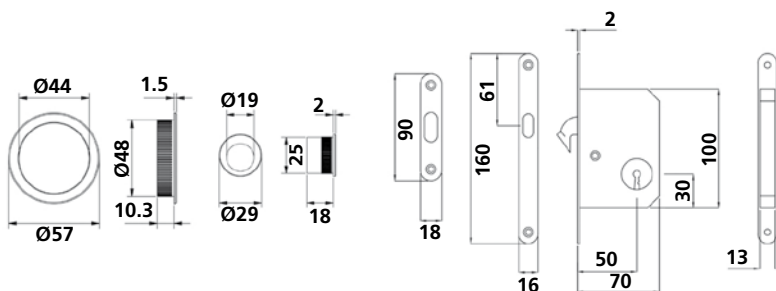
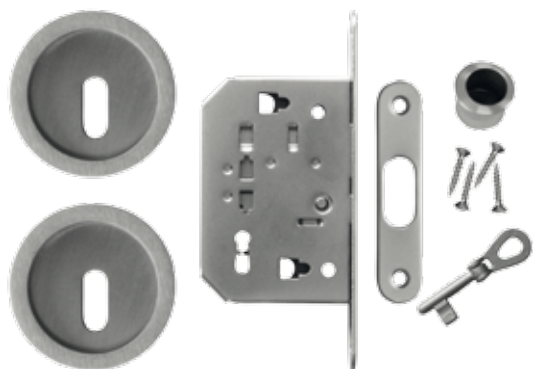
### CD 048 - OVAL TOILET DOOR LOCK

Oval toilet door lock kit – lockable from one side – toilet, bathroom.



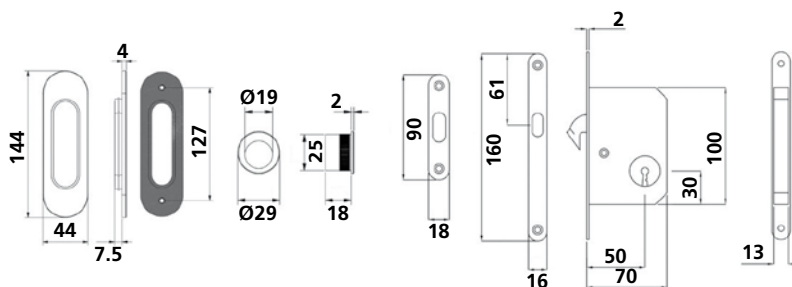
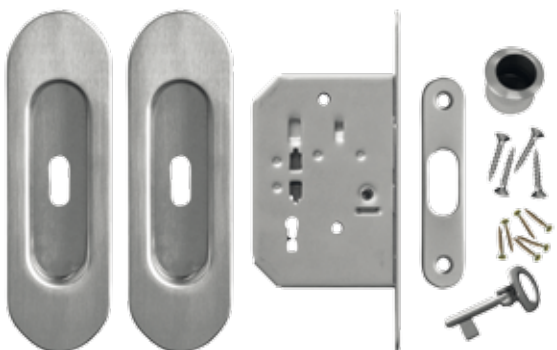
**CD 050 - ROUND TOILET DOOR LOCK**

Round toilet door lock kit – lockable from one side. It is intended for rooms with a requirement for locking from one side– toilet, bathroom.



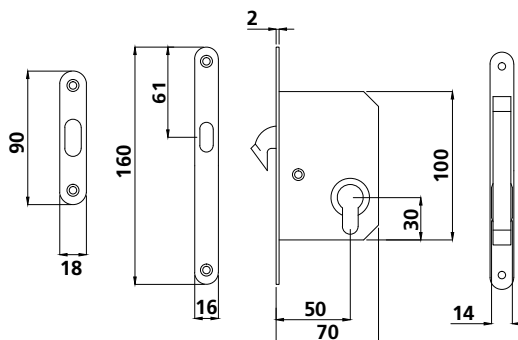
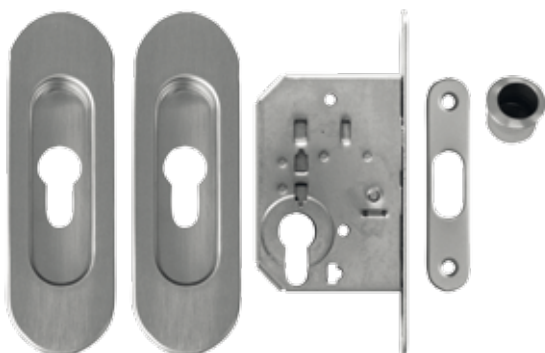
**CD 063 - ROUND DOOR PULL + FOLDING KEY**

Kit with folding key – lockable from both sides. It is intended for rooms with a requirement for locking from both sides – bedrooms.



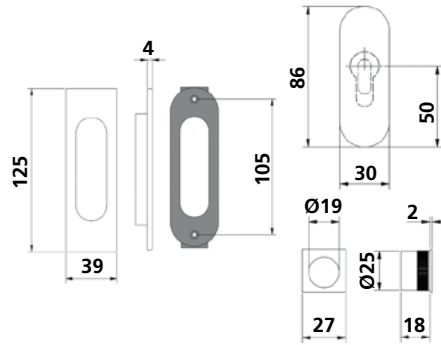
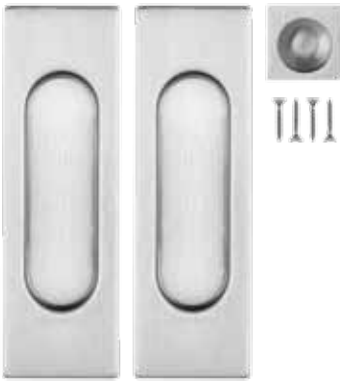
**CD 067 - OVAL DOOR PULL + FOLDING KEY**

Kit with oval door pull and folding key – lockable from both sides. It is intended for rooms with a requirement for locking from both sides – bedrooms.



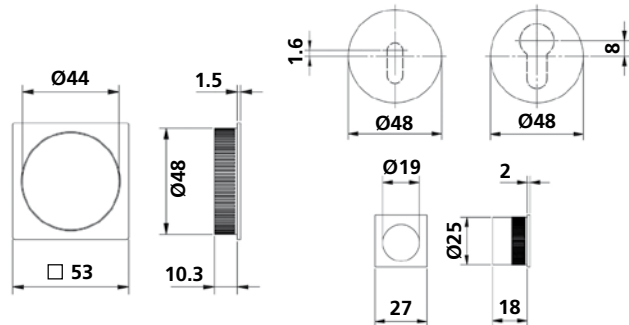
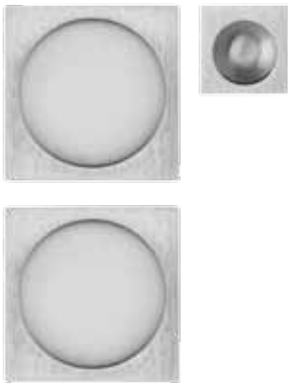
**CD 1150 - OVAL FAB LOCK**

Kit with oval door pull and FAB lock – lockable from both sides. Supplied without the lock cylinder and key.



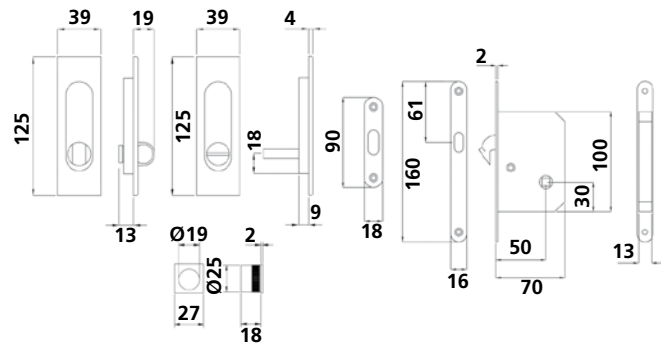
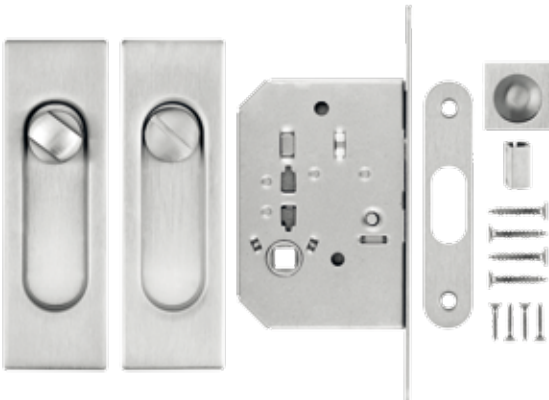
**CD 938 - RECTANGULAR DOOR PULL**

Rectangular door pull without holes.



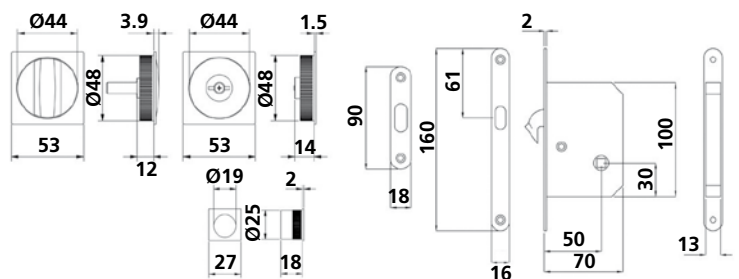
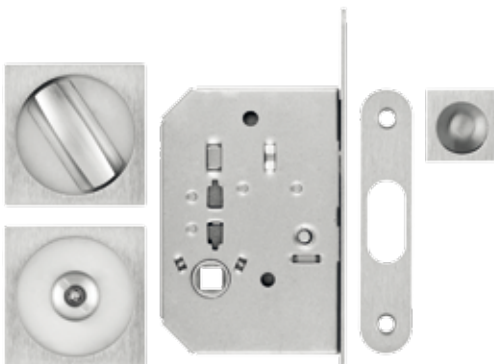
**CD Q22 - RECTANGULAR DOOR PULL**

Rectangular door pull without holes.



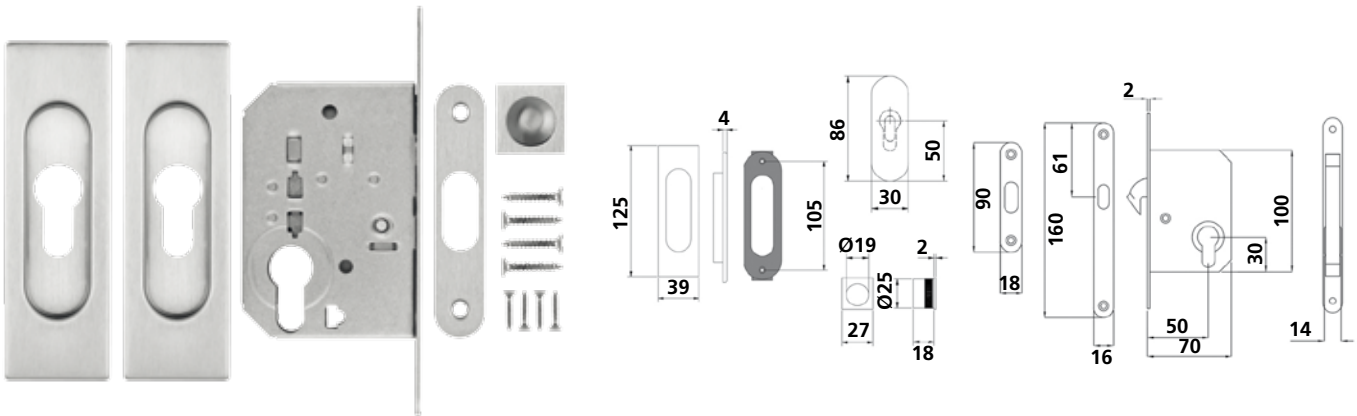
**CD 962 - RECTANGULAR DOOR PULL WITH A TOILET LOCK**

Rectangular toilet door lock kit – lockable from one side. It is intended for rooms with a requirement for locking from one side – toilet, bathroom.



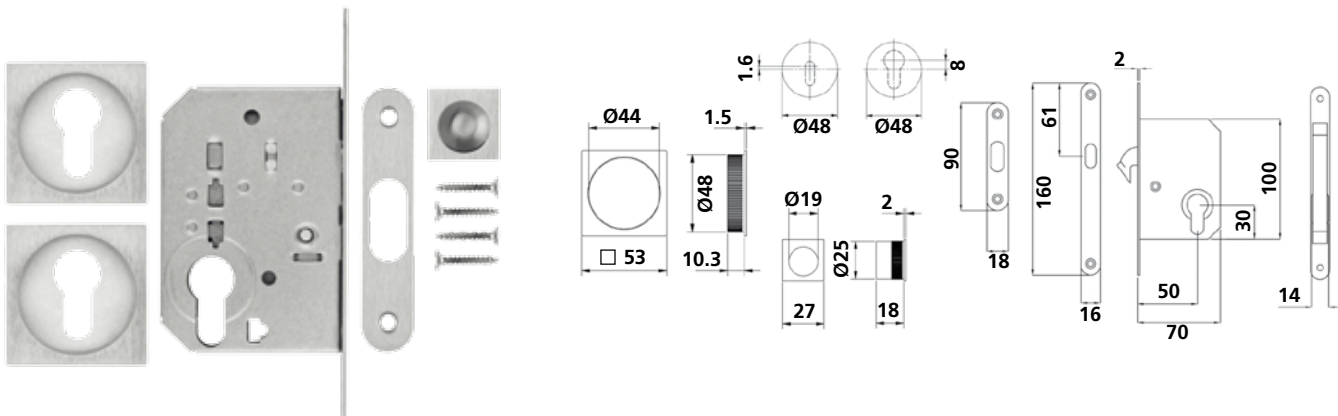
**CD 829 - RECTANGULAR DOOR PULL WITH A TOILET LOCK**

Rectangular toilet door lock kit – lockable from one side. It is intended for rooms with a requirement for locking from one side – toilet, bathroom.



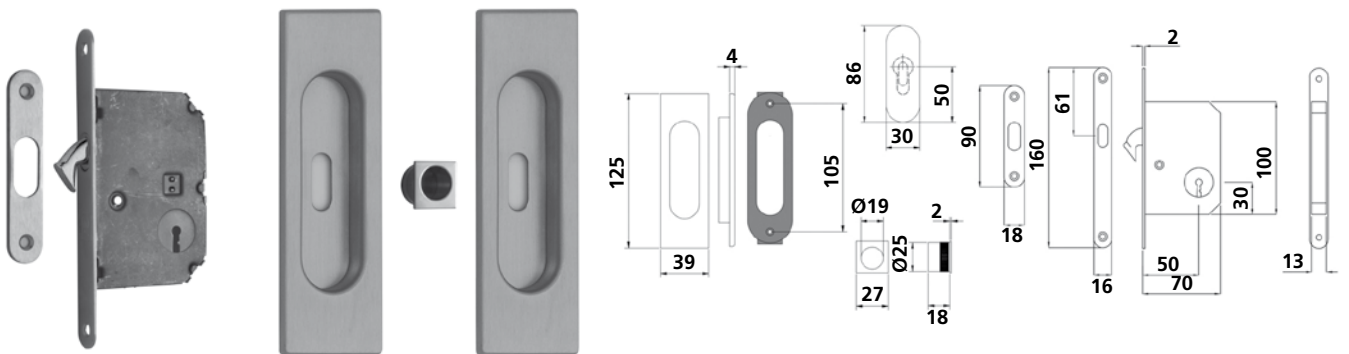
**CD YR6 - RECTANGULAR DOOR PULL WITH A LOCK**

Kit with a rectangular door pull and a FAB lock – lockable from both sides. Supplied without the lock cylinder and key.



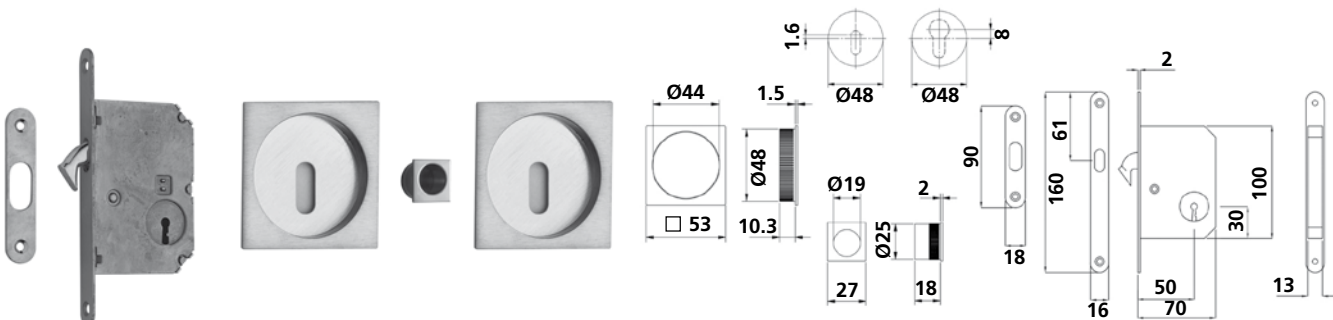
**CD Q6Y - RECTANGULAR DOOR PULL WITH A LOCK**

Kit with a rectangular door pull and a FAB lock – lockable from both sides. Supplied without the lock cylinder and key.



**CD 956 - RECTANGULAR DOOR PULL + FOLDING KEY**

A kit with a rectangular door pull for rooms where it is necessary to lock from both sides – bedroom.



**CD Q63 - RECTANGULAR DOOR PULL + FOLDING KEY**

A kit with a rectangular door pull for rooms where it is necessary to lock from both sides – bedroom.



## ACCESSORIES FOR SLIDING DOORS



Mounting kit Aktive/Emotive for wooden doors.



Mounting kit Aktive/Emotive for glass doors.



Detail of the brush seal for wooden doors and the mouth for glass doors.



Detail of the brush seal for glass doors.



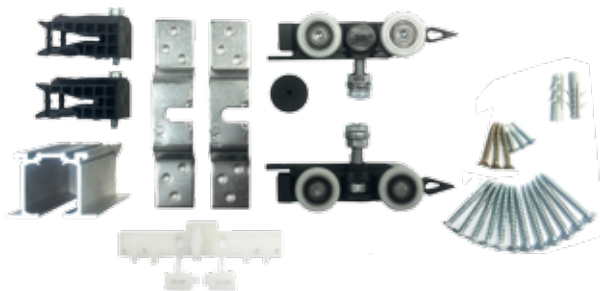
Synchronizing mechanism.



Fixtures for the Vetro 22 glass door.



Synchronizing mechanism for Aktive/Emotive.



Mounting kit for the Norma pocket.



Soft closing mechanism.



Soft closing mechanism for Aktive and Emotive.

## Wall and Ceiling Mounted Sliding Mechanisms

These mechanisms are an ideal choice for those who wish to imprint a fresh, clean-design solution and optimise the use of their interior space.

**These sliding mechanisms** offer a solution for situations where it is no longer possible to interfere with the partition and construct a pocket door frame for a sliding door. Mounting the travelling rails requires no structural modifications.

All of our sliding mechanisms are manufactured from quality materials, mainly from aluminium, or alternatively from stainless steel, and are ideal for both glass and wooden doors.

We offer sliding systems in five product lines:

**Trix Zero, Trix Smart, Trix Heavy, Rollo** and **Premium**. They are mounted onto the wall or ceiling above the door frame, or alternatively on a glass wall.

The choice of the slide type depends greatly on the weight of the door leaf.

The **Premium** sliding mechanism is mounted onto the load-bearing ceiling and is covered with an underslung ceiling – which is the so-called hidden sliding mechanism. With the **Premium** system, an elegant partition wall will be created between two separate spaces.

All of our wall and ceiling mounted travelling mechanisms are very silent and, depending on the type, also have the option for soft closing mechanisms.

	TRIX Zero/Zero II	TRIX One/Smart	TRIX Heavy/Heavy II	Rollo	Premium
max. weight of one leaf	45 kg	60 kg	100 kg	80 kg	100 kg
slide material	aluminium	aluminium	aluminium	stainless steel	aluminium
trolley hanger material	aluminium	plastic	aluminium	-	plastic/ aluminium alloy
surface finish	brushed stainless steel	brushed stainless steel	brushed stainless steel	stainless steel	
wooden doors	✓**	✓	✓*	✓	✓
glass doors	✓	✓	✓	✓	✓
onto a wall	✓	✓	✓	✓	
above the door frame		✓			
into the ceiling	✓	✓	✓		✓
onto a glass wall			✓	✓	
single leaf	✓	✓	✓	✓	✓
double leaf	✓	✓	✓	✓	✓
synchronizing mechanism		✓		✓	
soft closing mechanism	✓	✓**	✓		✓
fixed all-glass		✓	✓		
fixed leaf thickness 40 mm					✓
Strong and Master doors	✓	✓	✓	✓	✓

\*it is necessary to use the mounting kit for wooden doors \*\*from an opening of 700/1450 mm

**TRIX ZERO, II/TRIX HEAVY, II glass**



72/63 mm front

**TRIX ZERO, II/TRIX HEAVY, II wood**



**TRIX ONE/SMART glass**



90/85 mm front

**TRIX ONE/SMART wood**



**ROLLO glass**



Ø25 mm bar

**ROLLO wood**



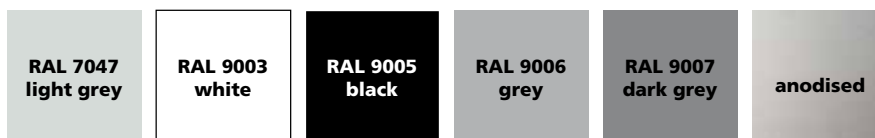
**Premium**



**Premium**



Colour samples for sliding systems Trix Zero, Zero II, Trix Heavy, Heavy II and SMART





Single leaf sliding system

## **TRIX ZERO/ /TRIX ZERO II**

- front 72/63mm
- material aluminium
- surface finishing brushed stainless steel, anodised, structural paint according to the colour swatch
- maximum weight of the door 45 kg
- a ceiling mounted version is custom-made

1 set of trolley hangers, 1 sliding guide, 2 soft closing mechanisms are included in the price, preparation for both a wooden and a glass door.

placement	opening in mm	door leaf	slat length
wall	600	glass/wood	1300
wall	700	glass/wood	1500
wall	800	glass/wood	1700
wall	900	glass/wood	1900

Sliding system

## TRIX ZERO/TRIX ZERO II



- front 72/63 mm
- material aluminium
- surface finishing brushed stainless steel, anodised, structural paint according to the colour swatch
- maximum weight of the door 45 + 45 kg
- it is not possible to add a synchronizing mechanism
- the ceiling mounted version is custom-made.

2 sets of trolley hangers, 2 sliding guides, 4 soft closing mechanisms are included in the price, preparation for both a wooden and a glass door.

placement	opening in mm	door leaf	slat length
wall	1250	glass/wood	2600
wall	1450	glass/wood	3000
wall	1650	glass/wood	3400
wall	1850	glass/wood	3800

Single leaf sliding system

## TRIX ONE/TRIX SMART



placement	opening in mm	door leaf	slat length
wall	600	glass	1300
wall	600	wood	1300
frame	600	glass	1300
frame	600	wood	1300
wall	700	glass	1500
wall	700	wood	1500
frame	700	glass	1500
frame	700	wood	1500
wall	800	glass	1700
wall	800	wood	1700
frame	800	glass	1700
frame	800	wood	1700
wall	900	glass	1900
wall	900	wood	1900
frame	900	glass	1900
frame	900	wood	1900

- front 90/85 mm
- material aluminium
- surface finishing  
brushed stainless steel
- maximum weight of the door  
60 kg
- a ceiling mounted version is  
custom-made.

1 set of trolley hangers, 1 sliding guide, 1 Vetro II set (in the case of all-glass doors), 1 soft closing mechanism and aluminium profiles according to the order are included in the price.

\*starting from a net passage of 700mm

Sliding system

## TRIX ONE/TRIX SMART

- front 90/85 mm
- material aluminium
- surface finishing  
brushed stainless steel
- maximum weight of the door 60 + 60 kg
- a ceiling mounted version is custom-made.

2 sets of trolley hangers, 2 Vetro II sets (in the case of all-glass doors), 2 soft closing mechanisms are included in the price.\*

\*starting from a net passage of 1450mm



Plant motif

placement	opening in mm	door leaf	slat length
wall	1250	glass	2600
wall	1250	wood	2600
frame	1250	glass	2600
frame	1250	wood	2600
wall	1450	glass	3000
wall	1450	wood	3000
frame	1450	glass	3000
frame	1450	wood	3000
wall	1650	glass	3400
wall	1650	wood	3400
frame	1650	glass	3400
frame	1650	wood	3400
wall	1850	glass	3800
wall	1850	wood	3800
frame	1850	glass	3800
frame	1850	wood	3800

Fixed wall + single leaf sliding system

## TRIX ONE/TRIX SMART



Custom-made production.

- front 90/85 mm
- material aluminium
- surface finished brushed stainless steel
- maximum weight of the door 60kg

1 set of trolley hangers, 1 sliding guide, 1 Vetro II set (in the case of all-glass doors), 1 soft closing mechanism are included in the price.





Fixed wall + single leaf sliding system + fixed wall

## **TRIX ONE/TRIX SMART**



Fixed wall + single leaf sliding system + fixed wall

## **TRIX ONE/TRIX SMART**



Custom-made production – both products.

Single leaf sliding system  
**TRIX HEAVY/TRIX  
 HEAVY II**



Door Strong glass planibel grey, D128 motif

- front 72/63 mm
- material aluminium
- surface finishing brushed stainless steel, anodised, structural paint according to the colour swatch
- maximum weight of the door 100kg
- a ceiling mounted version is custom-made.

1 set of trolley hangers, 1 sliding guide, 2 soft closing mechanisms for closing and opening, are included in the price, preparation for wooden or glass doors.

placement	opening in mm	door leaf	slat length
wall	600	glass	1300
wall	600	wood	1300
wall	700	glass	1500
wall	700	wood	1500
wall	800	glass	1700
wall	800	wood	1700
wall	900	glass	1900
wall	900	wood	1900

Sliding system

## TRIX HEAVY/TRIX HEAVY II



Door Master

- front 72/63mm
- material aluminium
- surface finishing brushed stainless steel, anodised, structural paint according to the colour swatch
- maximum weight of the door 100 + 100kg

2 sets of trolley hangers, 2 sliding guides, 4 soft closing mechanisms for closing and opening, are included in the price, preparation for wooden or glass doors.

placement	opening in mm	door leaf	slat length
wall	1250	glass	2600
wall	1250	wood	2600
wall	1450	glass	3000
wall	1450	wood	3000
wall	1650	glass	3400
wall	1650	wood	3400
wall	1850	glass	3800
wall	1850	wood	3800

Fixed wall + single leaf sliding system

## **TRIX HEAVY/TRIX HEAVY II**



- front 72/63mm • material aluminium • surface finishing brushed stainless steel, anodised, structural paint according to the colour swatch • maximum weight of the door 100 kg

1 set of trolley hangers, 1 sliding guide, 2 soft closing mechanisms are included in the price.

Fixed wall + single leaf sliding system + fixed wall

## **TRIX HEAVY/TRIX HEAVY II**



Fixed wall + single leaf sliding system + fixed wall

## **TRIX HEAVY/TRIX HEAVY II**



Anchoring to a glass wall

## **TRIX HEAVY/TRIX HEAVY II**



Custom-made production for all types of Trix Heavy on page 60 and 61 custom manufacturing.

# ROLLO

Single leaf sliding system

## ROLLO



- bar Ø 25 mm + pulleys • material stainless steel
- maximum weight of the door 80 kg
- a glass wall mounted version is custom-made.

2 travelling pulleys, 2 stoppers, 1 sliding guide and a wall mounting fastener are included in the price.

placement	opening in mm	door leaf	bar length
wall	600	glass	1300
wall	600	wood	1300
wall	700	glass	1500
wall	700	wood	1500
wall	800	glass	1700
wall	800	wood	1700
wall	900	glass	1900
wall	900	wood	1900



D215 N motif

## Sliding system **ROLLO**



- bar Ø 25 mm + pulleys • material stainless steel
- maximum weight of the door 80 + 80 kg
- a glass wall mounted version is custom-made.

4 travelling pulleys, 4 stoppers, 2 sliding guide and a wall mounting fastener are included in the price

Rollo double leaf with a synchronizing mechanism for an additional fee.

The synchronizing mechanism is not possible to be installed later.

placement	opening in mm	door leaf	bar length
wall	1250	glass	2500
wall	1250	wood	2500
wall	1450	glass	2900
wall	1450	wood	2900
wall	1650	glass	3300
wall	1650	wood	3300
wall	1850	glass	3700
wall	1850	wood	3700



Detail of the synchronizing mechanism on the Rollo.

# PREMIUM

Double leaf cascade sliding system

## PREMIUM

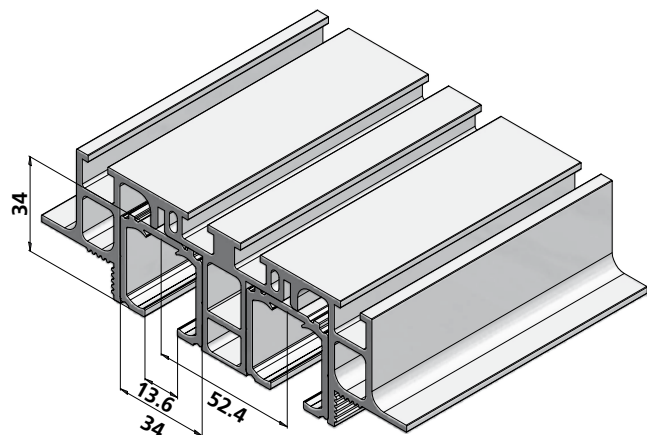


Door Strong glass  
planibel brown

Custom-made production.

- material aluminium
- maximum weight of the door 100kg

2 sets of trolley hangers with a soft closing mechanism, a sliding guide, 2 sets of Vetro II + a Vetro II covers (in the case of an all-glass door), flush pulls for the wood (in the case of a wooden door) are included in the price.





Fixed wall + single leaf sliding system

## PREMIUM



Door Strong glass clear

Custom-made production.

- material aluminium
- maximum weight of the door 100kg

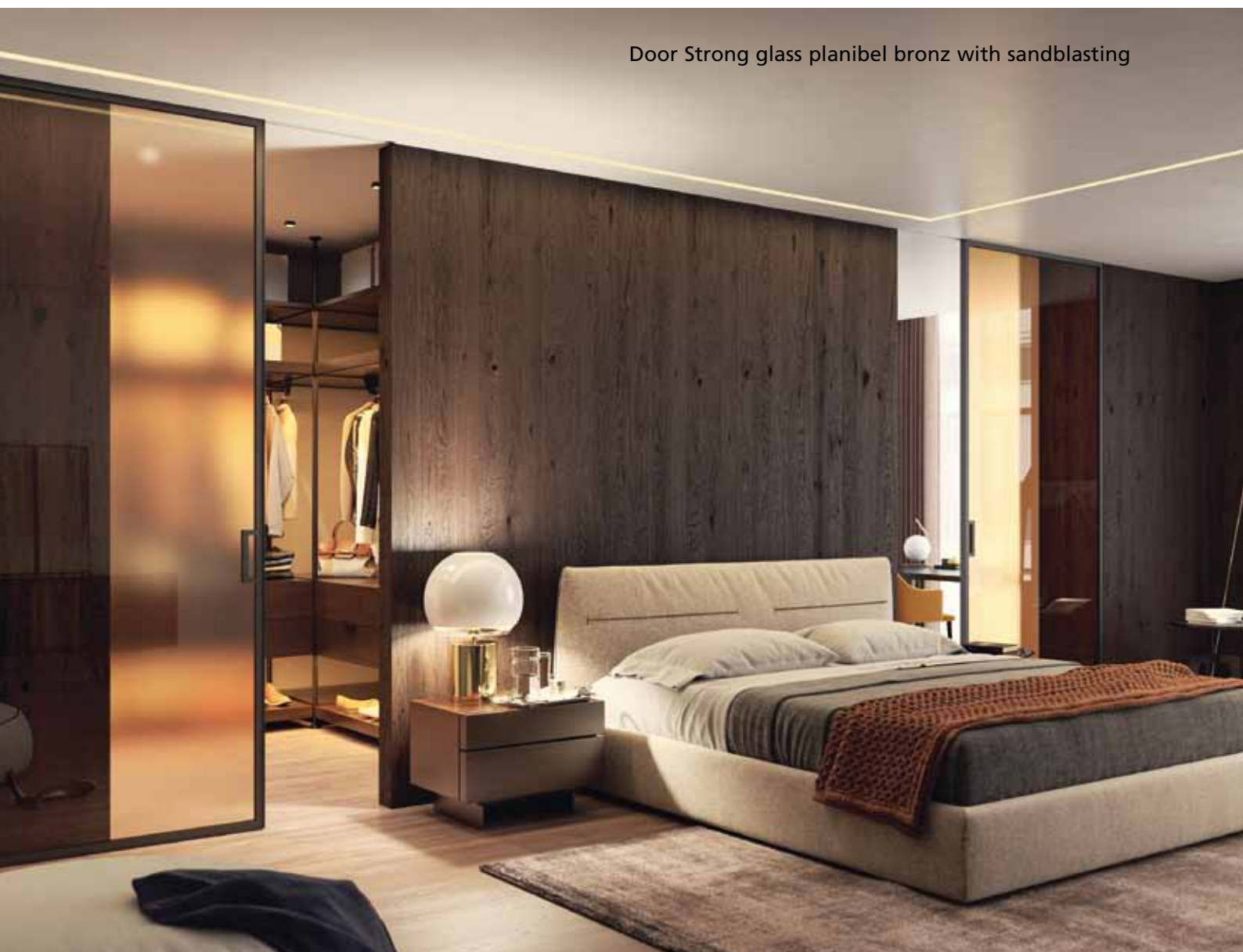
2 sets of trolley hangers with a soft closing mechanism, a sliding guide, 2 sets of Vetro II + a Vetro II covers (in the case of an all-glass door), flush pulls for the wood (in the case of a wooden door) are included in the price.



Single leaf sliding system

## PREMIUM

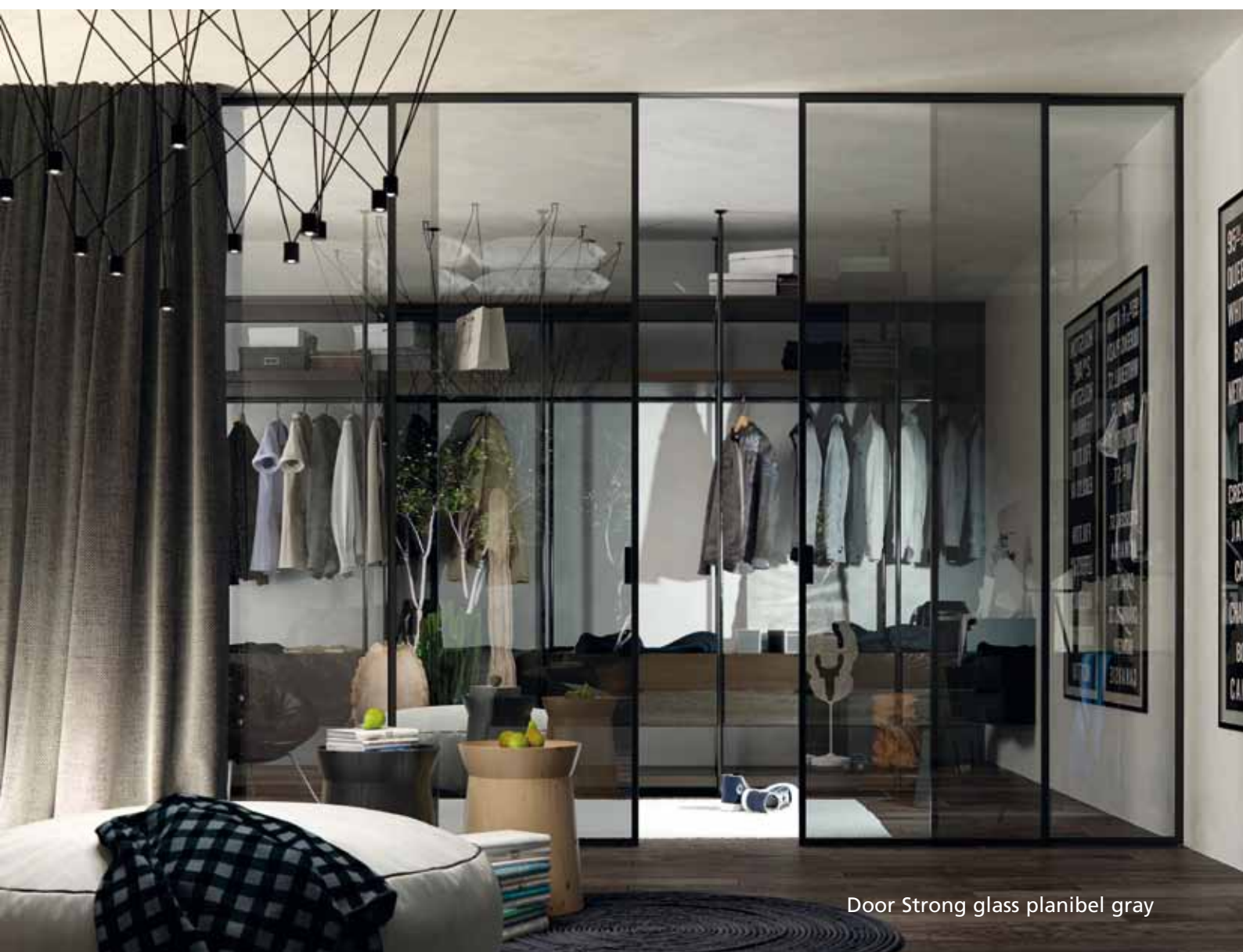
Door Strong glass planibel bronz with sandblasting



Custom-made production.

Fixed wall + double leaf sliding system

## PREMIUM



Door Strong glass planibel gray

Custom-made production.



Company headquarters:

**"J.A.P." spol. s r. o.** – Nivky 67, 750 02 Přerov III – Lověšice

Phone: +420 581 587 811, Fax: +420 581 587 871, e-mail: [jap@japcz.cz](mailto:jap@japcz.cz)

[www.japcz.cz](http://www.japcz.cz)

Showrooms:

**J.A.P.** – Českomoravská 183/27 (Sykora Home), 190 00 Prague 9 – Vysočany

Phone: +420 739 278 160, e-mail: [paha@japcz.cz](mailto:paha@japcz.cz)

[www.japcz.cz](http://www.japcz.cz)

**J.A.P.** – Bassova 12, 190 00 Prague 9 – Vysočany

Phone: +420 283 890 088, e-mail: [obchod@japcz.cz](mailto:obchod@japcz.cz)

[www.jap-praha.cz](http://www.jap-praha.cz)

**"J.A.P." spol. s r. o.** – Nivky 67, 750 02 Přerov III – Lověšice

Phone: +420 581 587 811, Fax: +420 581 587 871, e-mail: [jap@japcz.cz](mailto:jap@japcz.cz)

[www.japcz.cz](http://www.japcz.cz)

**J.A.P. Slovakia s.r.o.** – Zadunajská cesta 12, 851 01 Bratislava

Phone: +421 263 530 368, fax: +421 263 530 366, e-mail: [obchod@jap.sk](mailto:obchod@jap.sk)

[www.jap.sk](http://www.jap.sk)

[www.dvernisystem.cz](http://www.dvernisystem.cz)



---

3/2018

J.A.P. is reserving the right for changes.