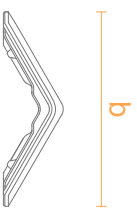
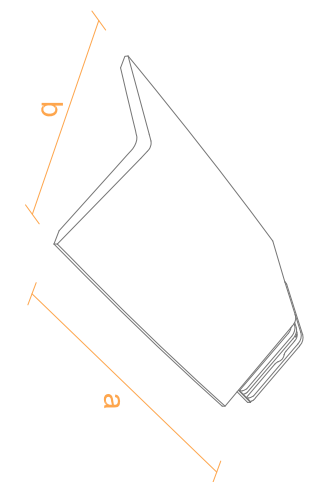




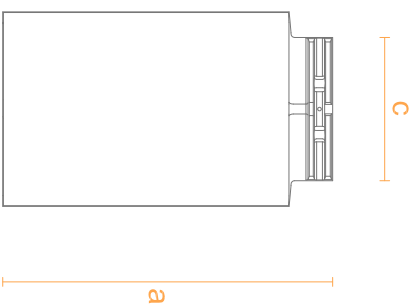
__side



__front



__perspective



__top

Q90 Atica ridge 120°

__Dimensions

__a: 463mm; b: 273mm; c: 201mm

__a: 18.22"; b: 10.74"; c: 7.91"

__Places/ml

__2,5 per ml / 0.75 pcs/ft

__Weight piece

__3,6kg / 7.937lbs