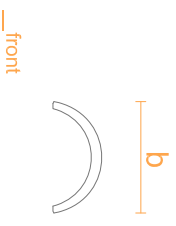
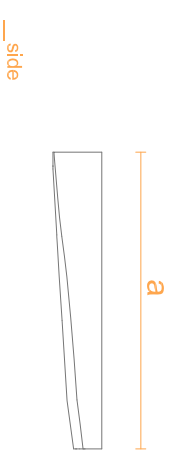
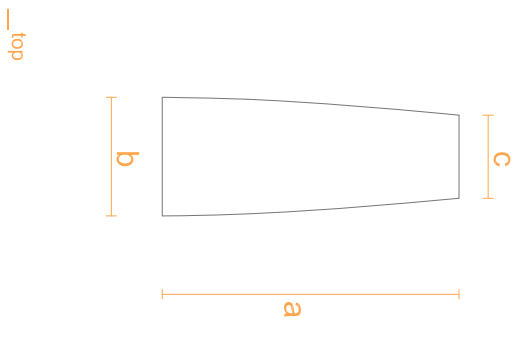
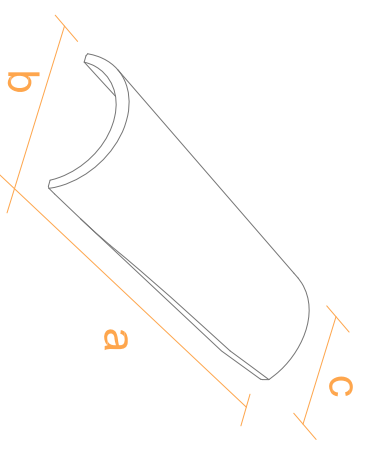


# curved roof tile T40



\_\_front

\_\_side



\_\_top

\_\_perspective

__Dimensions	__a: 400mm; b: 160mm; c: 112mm
__Pieces/m <sup>2</sup>	__a: 15.75"; b: 6.19"; c: 4.13"
__Pieces/square	__34/ 315
__Weight piece	__1.25kg/2.76lbs
__Pieces/pallet	__840
__Weight/pallet	__1050kg/2314.85lbs