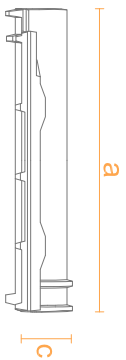
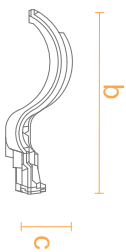


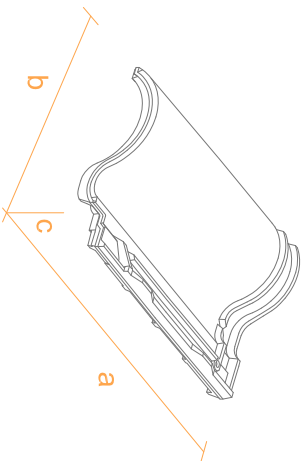
mixed roof tile small mixed



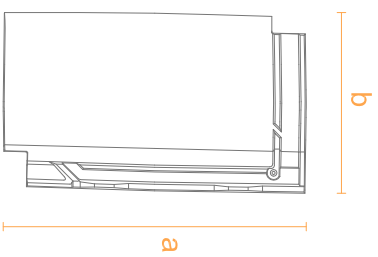
__side



__front



__perspective



__top

__Dimensions	__a: 441mm; b: 263mm; c: 73mm
__a: 17.36"; b: 10.35"; c: 2.87"	
__Pieces/m ² / Pieces/square	__12.5 / 116
__Weight piece	__3.4kg / 7.5lbs
__Longitudinal fit*	__372mm (+/-5mm) / 14.65" (+/-0.2")
__Transversal fit*	__205mm (+/-4mm) / 8.07" (+/-0.16")
__Pieces/pallet	__210/280
__Average weight / square	__714kg / 1574.10lbs. 952kg/2098.80lbs

*Nominal data. It is recommended to calculate this measurement at building site. These measurements include a +,-2% normative tolerance.