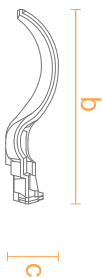
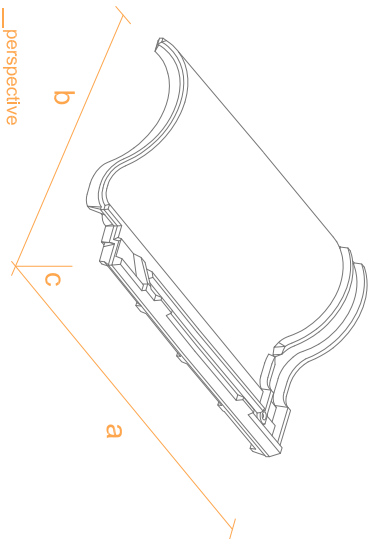


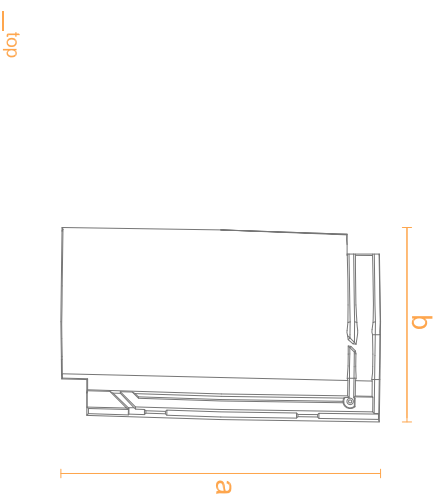
__side



__front



__perspective



__top

mixed roof tile **large mixed**



__Dimensions	__a: 470mm; b: 286mm; c: 75mm __a: 18.5"; b: 11.26"; c: 2.95"
__Pieces/m ² / __Pieces/square	__10.5/97
__Weight piece	__3.86kg/8.5lbs
__Longitudinal fit*	__400 (+4mm/-8mm) /15.75" (+0.16/-0.32")
__Transversal fit*	__230mm (+/-3mm) /9.06" (+/-0.12")
__Pieces/pallet	__180/240
__Average weight/square	__693/924kg / 1527.8/2.037lbs

*Nominal data. It is recommended to calculate this measurement at building site. All measures are for red clay.