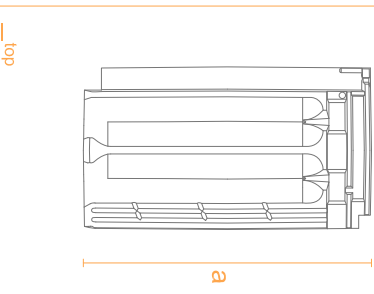
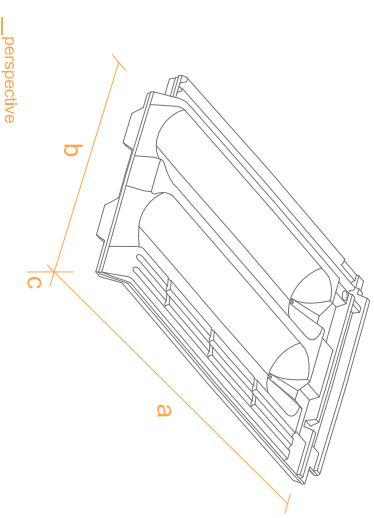
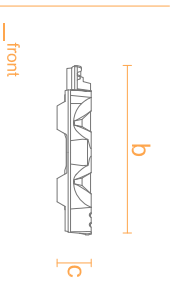
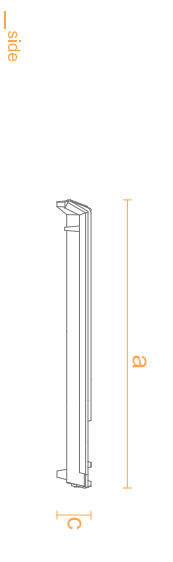


flat roof tile



— Dimensions	— a: 466mm; b: 260mm; c: 55mm
— Pieces/m ² / Pieces/square	— a: 18,35"; b: 10,24"; c: 2,17"
— Weight piece	— 11/101
— Longitudinal fit*	— 3,7kg/ 8,16lbs
— Transversal fit*	— 403 (+/-5mm) / 15,87" (+/-0,2")
— Pieces/pallet	— 226mm (+/-2mm) / 8,9" (+/-0,08")
— Weight/pallet	— 180/240
	— 666kg (180pieces) / 1468,28lbs
	— 888kg (240pieces) / 1957,7lbs

*Nominal data. It's recommended to calculate this measurement at building site. These measurements include a +/-2% normative tolerance.